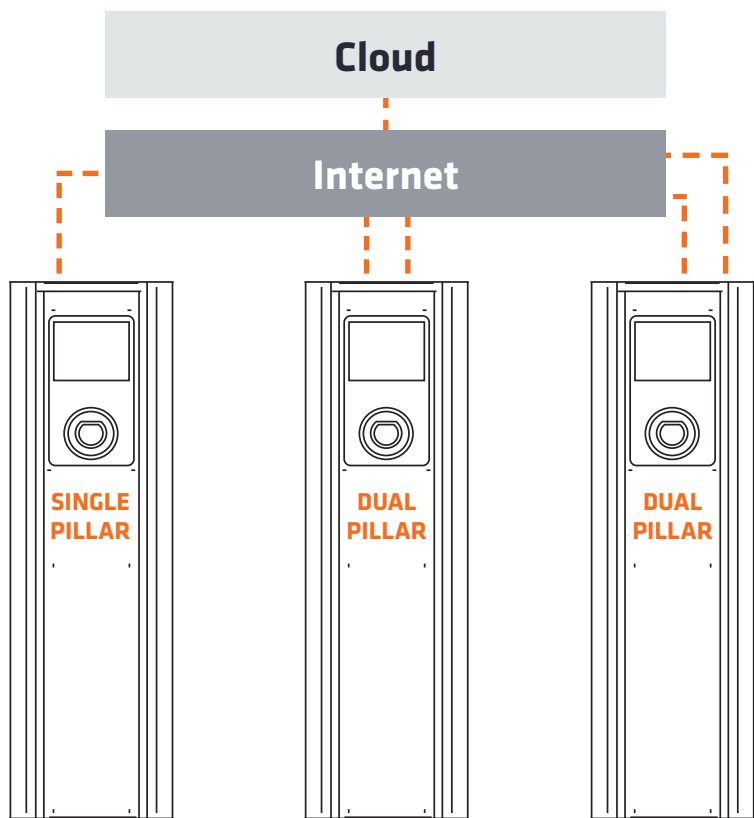
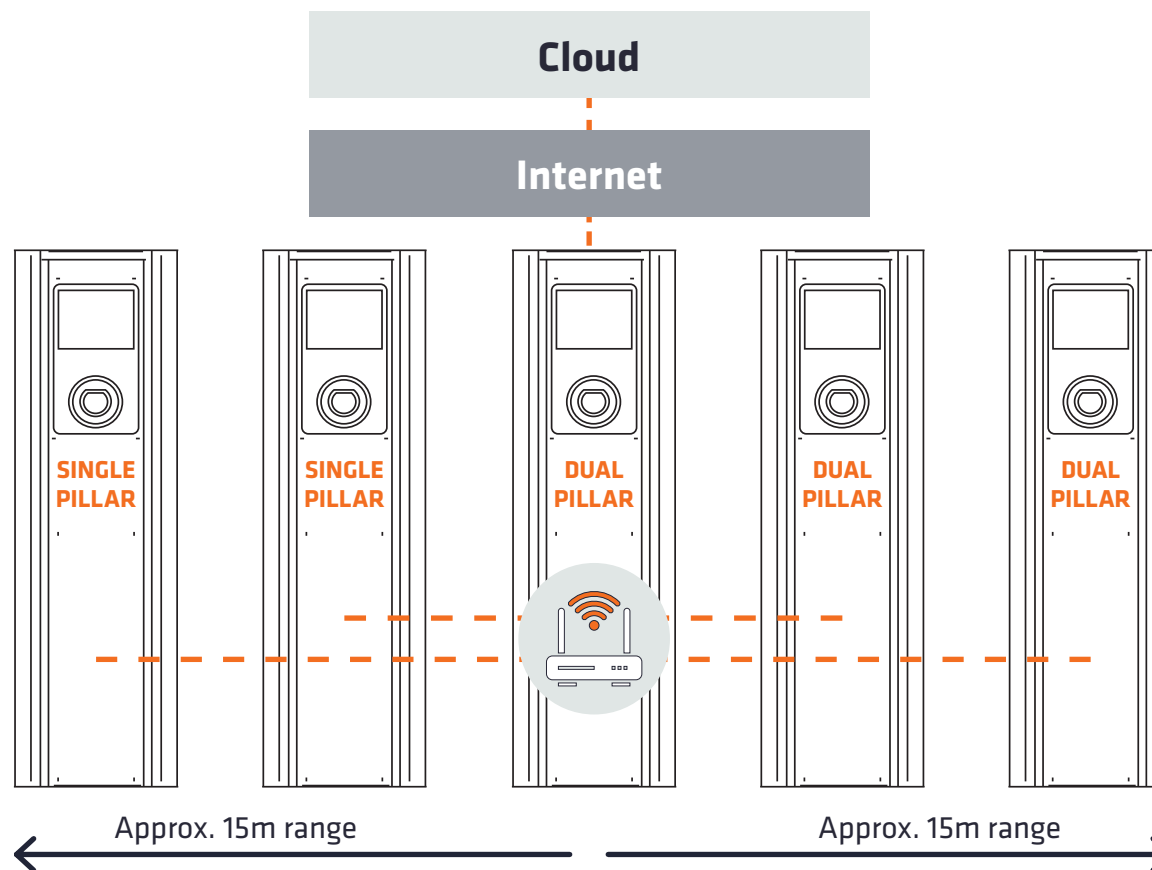


## Individual 4G SIM card per unit



4G data charges apply per outlet  
Load balancing via cloud only

## 4G router/Wi-Fi repeater module

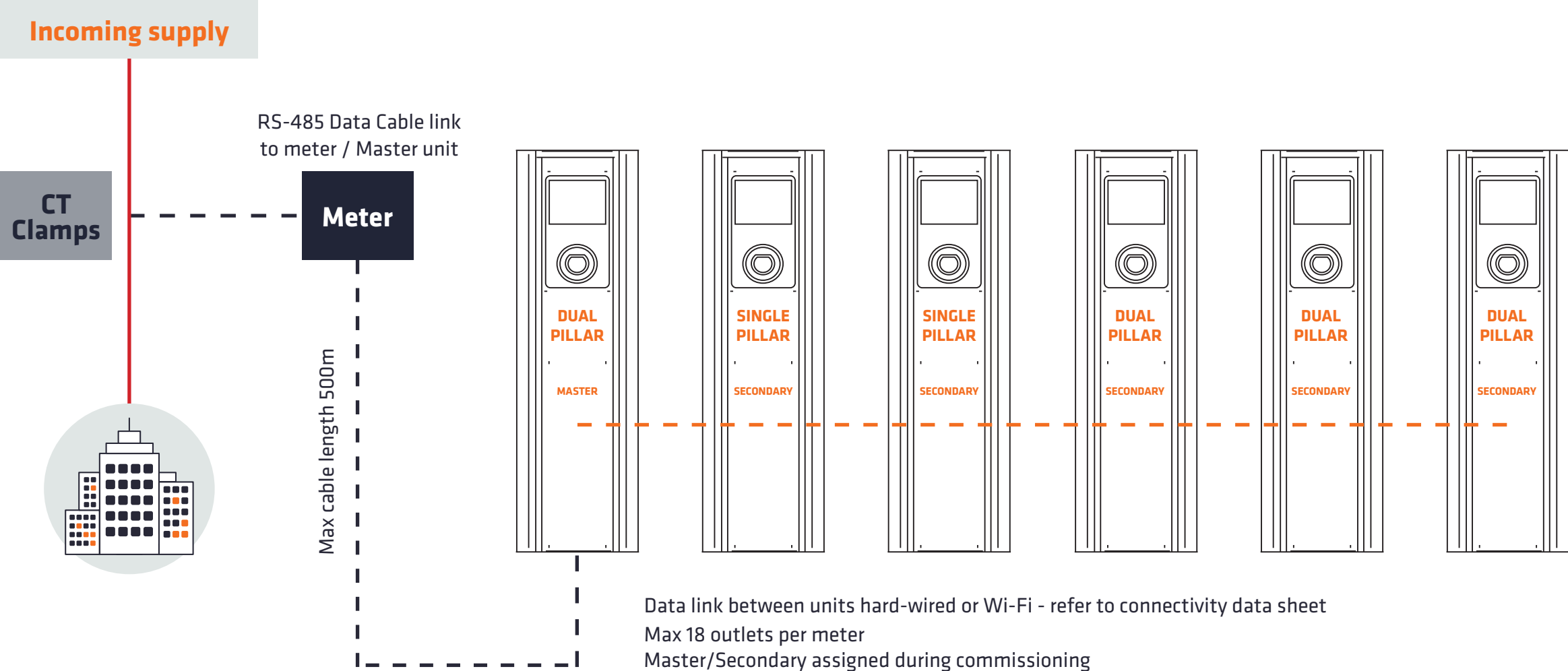


1x 4G data charge applies per router

**Router requires IP rated 3-pin socket (by others)**

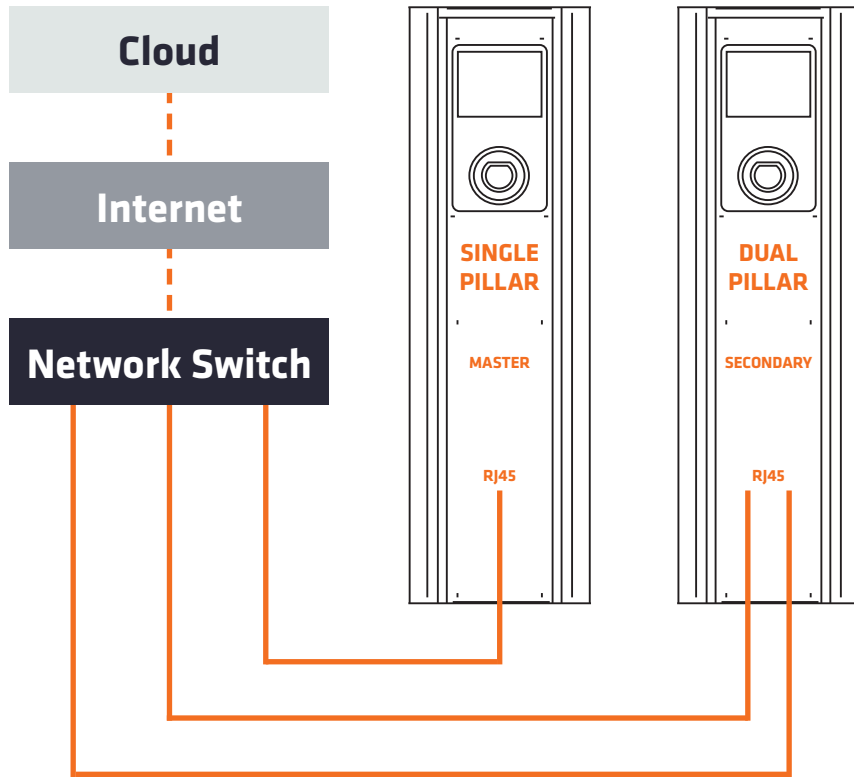
**Ensure suitable 4G signal available on site**

With active load balancing, power not being used by the building is sent to the charging group



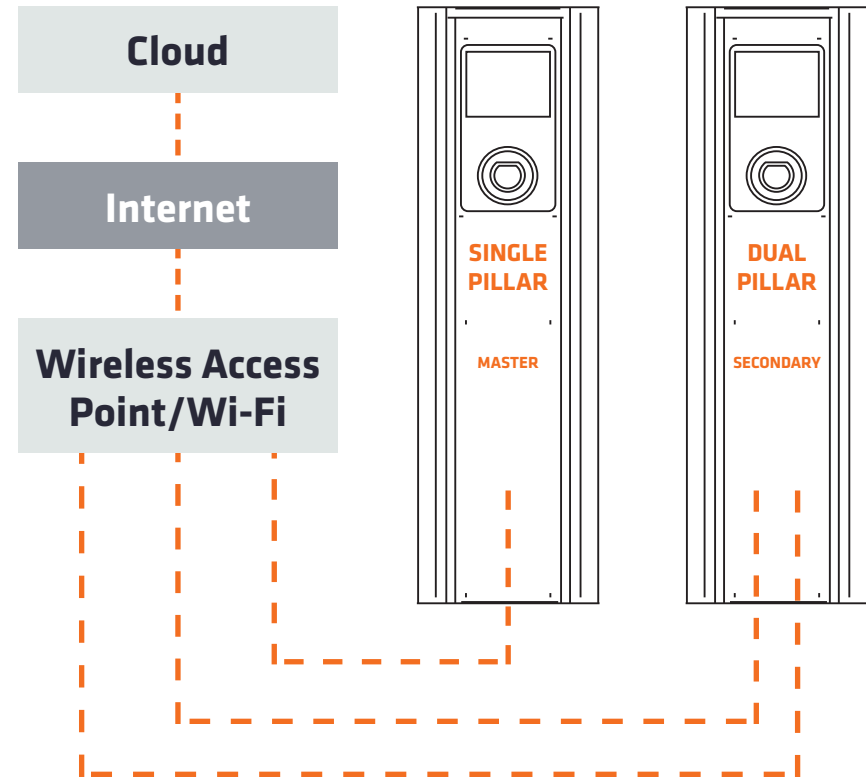
## Hardwired data cable Cat 5/6 (one cable per outlet)

Single outlet pillar requires 1x cable  
Dual outlet pillar requires 2x cable



Max cable length 100m

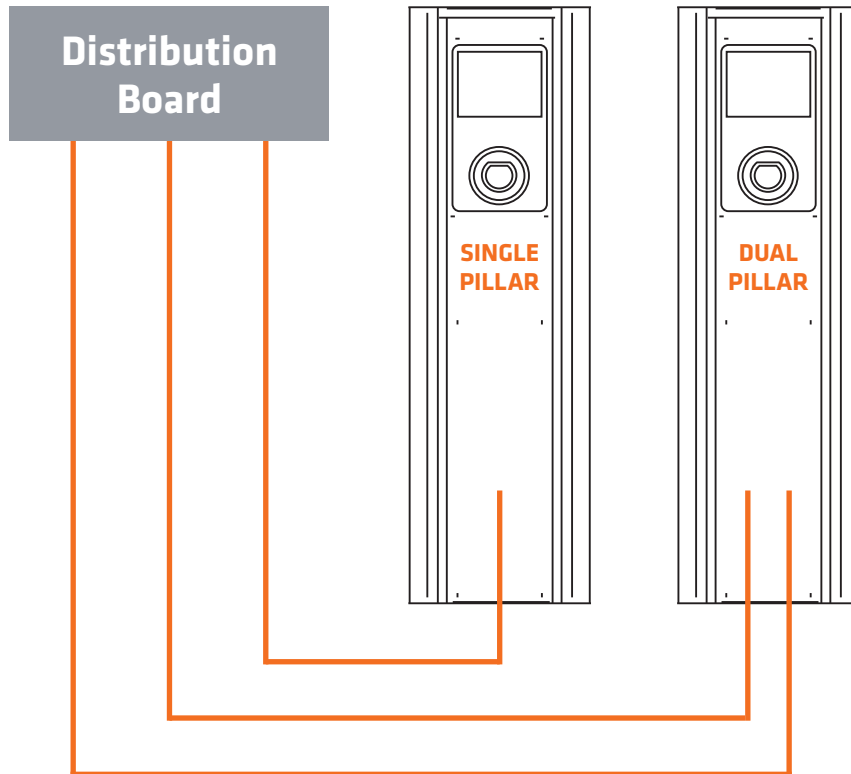
## Wi-Fi connection (ensure signal strength sufficient)



All outlets in a group must connect to the same network or Wi-Fi

## Standard power connection (one feed per outlet)

Single outlet pillar requires 1x cable  
Dual outlet pillar requires 2x cable



## Splitter box version (single power feed)

Dual or quad outlet pillar requires 1x cable

