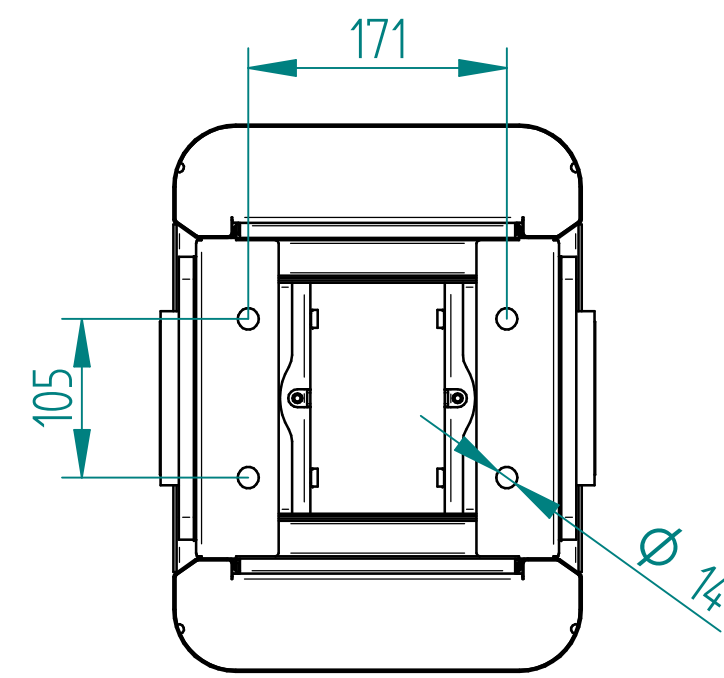
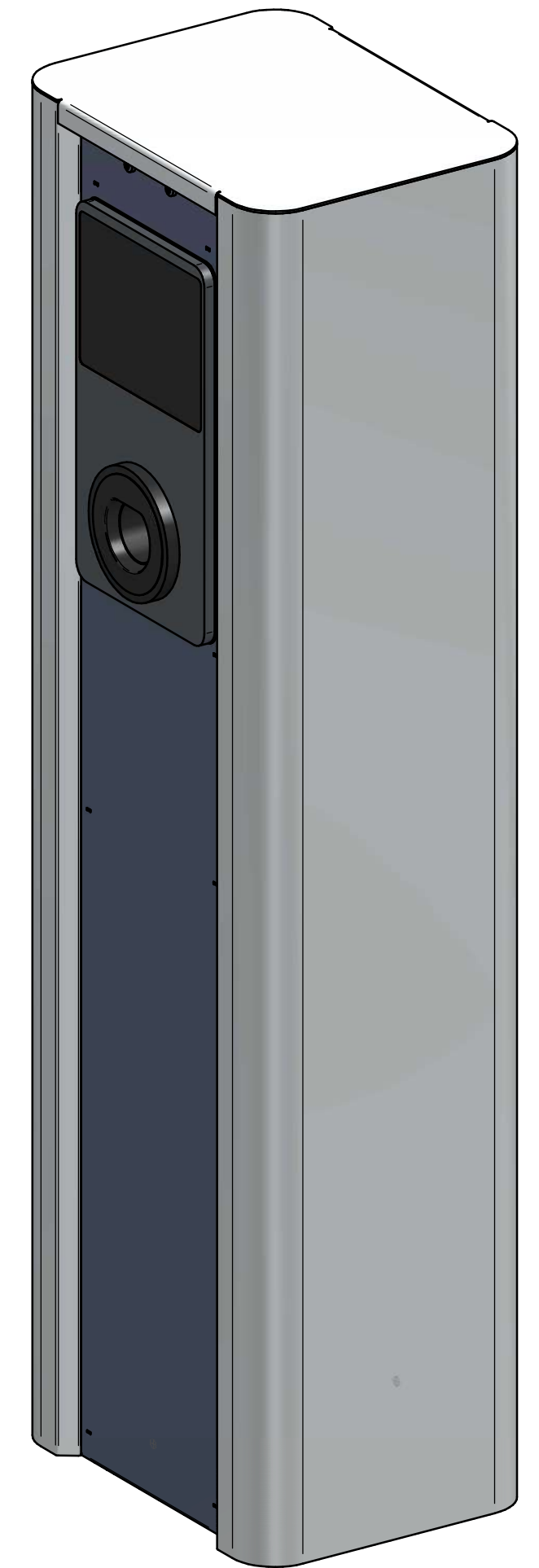



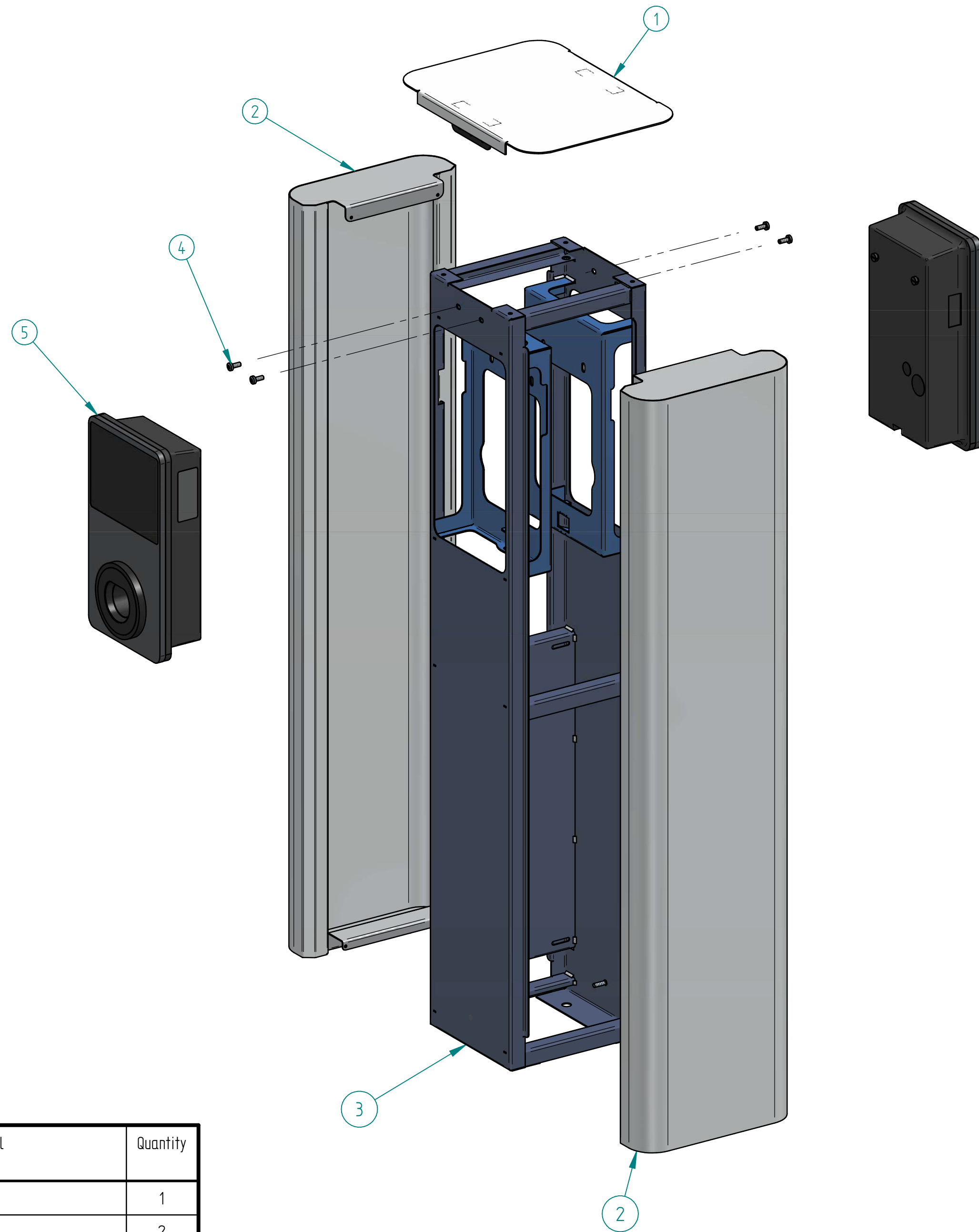
SECTION O-O



VIEW P



 POWERING ELECTRIC VEHICLES		
TITLE Project Pillar Dual		
SIZE A2	DWG NO EVMCOPP	REV A
FILE NAME	EVMCOPP.dft	
DRAWN	JS	
DATE	27/02/23	DIMENSIONS mm
WEIGHT:	24.773 kg	SHEET 1 OF 2



Item Number	File Name (no extension)	Material	Quantity
1	DUAL CHARGING STATION TOP PANEL		1
2	DUAL CHARGING STATION SIDE PANEL V2		2
3	DUAL CHARGING STATION CORE		1
4	M6 x 15 T25 Metric Security Torx Pan Head Screw - Stainless Steel	Mild Steel	4
5	MAXI CHARGER SINGLE PORT	ABS Plastic, high impact	2

TITLE: Project Pillar Dual			
SIZE: A2	DWG NO: EVMCOPP	REV: A	
FILE NAME:	EVMCOPP.dft		
DRAWN:	JS		
DATE:	27/02/23	DIMENSIONS: mm	
WEIGHT:	24.773 kg	SHEET 2 OF 2	