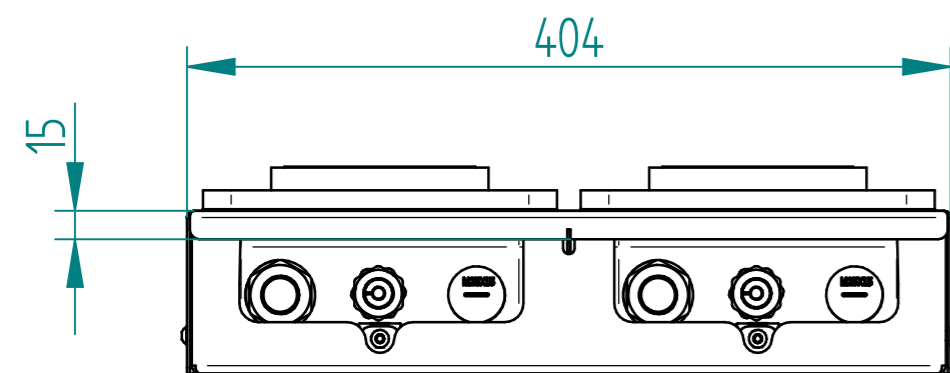

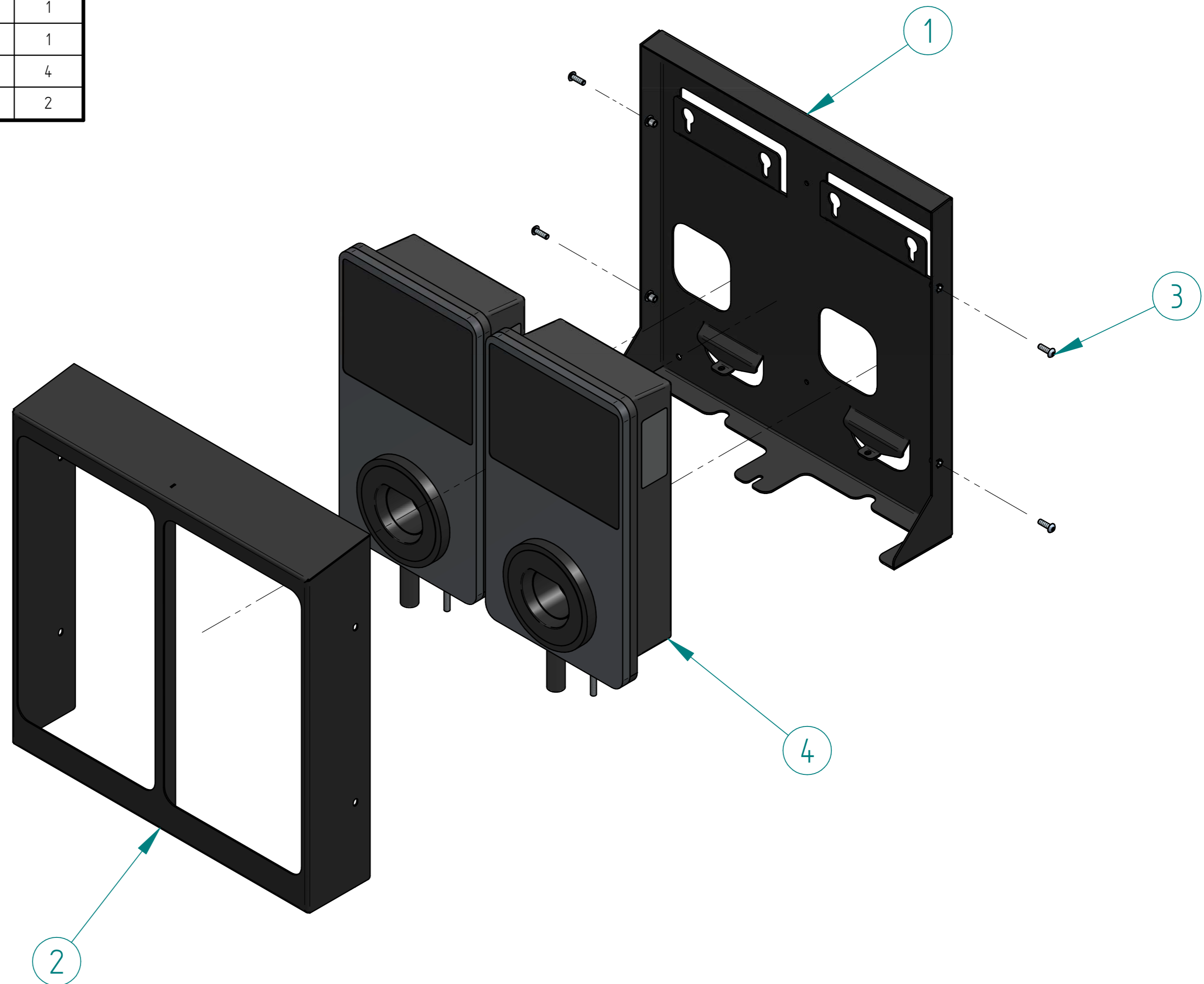



SECTION A-A



 POWERING ELECTRIC VEHICLES			
TITLE: Wall enclosure dual			
SIZE: A2	DWG NO: EVMWMEQP	REV: A	
FILE NAME:	EVMWMEQP.dft		
DRAWN:	JS		
DATE:	27/02/23	DIMENSIONS: mm	
WEIGHT:	7.123 kg	SHEET 1 OF 2	

Item Number	File Name (no extension)	Material	Quantity
1	WME DOUBLE BACK PANEL		1
2	WME DOUBLE FRONT PANEL WELDMENT		1
3	Screw_DIN_EN_ISO_7380_1_M5x16_v14.00	Steel	4
4	335x186 Charger Port WM		2



 POWERING ELECTRIC VEHICLES			
TITLE: Wall enclosure dual			
SIZE: A2	DWG NO: EVMWMEDP	REV: A	
FILE NAME:	EVMWMEDP.dft		
DRAWN:	JS		
DATE:	27/02/23	DIMENSIONS: mm	
WEIGHT:	7.123 kg	SHEET 2 OF 2	