
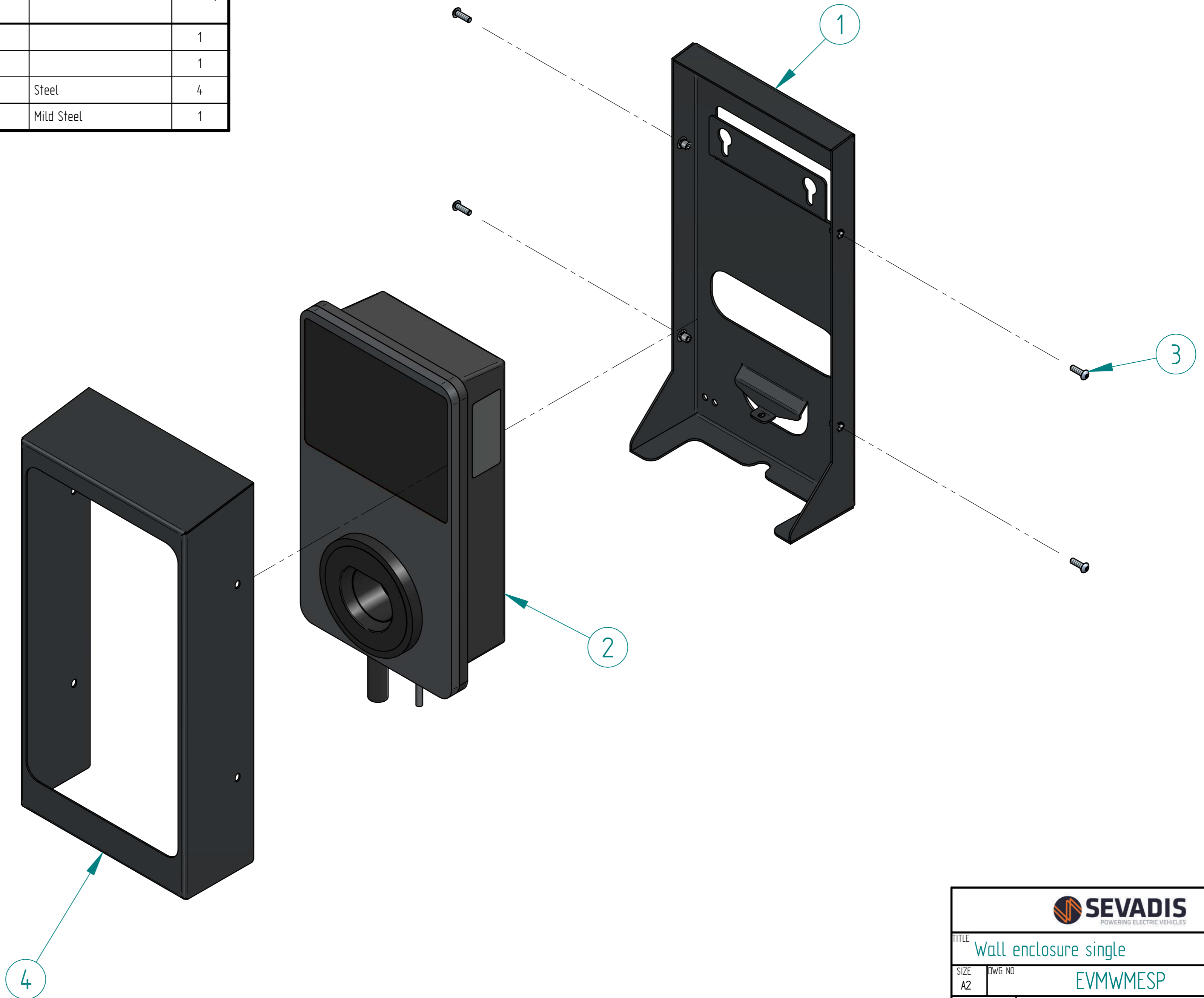



SECTION A-A



 POWERING ELECTRIC VEHICLES			
TITLE: Wall enclosure single			
SIZE: A2	DWG NO: EVMWMESP	REV: A	
FILE NAME: EVMWMESP.dft	DRAWN: JS		
DATE: 27/02/23	DIMENSIONS: mm		WEIGHT: 4.094 kg
			SHEET 1 OF 2

Item Number	File Name (no extension)	Material	Quantity
1	WALL MOUNT ENCLOSURE SINGLE BACK PANEL REV A		1
2	335x186 Charger Port WM		1
3	Screw_DIN_EN_ISO_7380_1_M5x16_v14.00	Steel	4
4	WME SINGLE FRONT PANEL-	Mild Steel	1



 POWERING ELECTRIC VEHICLES			
TITLE: Wall enclosure single			
SIZE: A2	DWG NO: EVMWMESP	REV: A	
FILE NAME:	EVMWMESP.dft		
DRAWN:	JS		
DATE:	27/02/23	DIMENSIONS: mm	
WEIGHT:	4.094 kg	SHEET 2 OF 2	