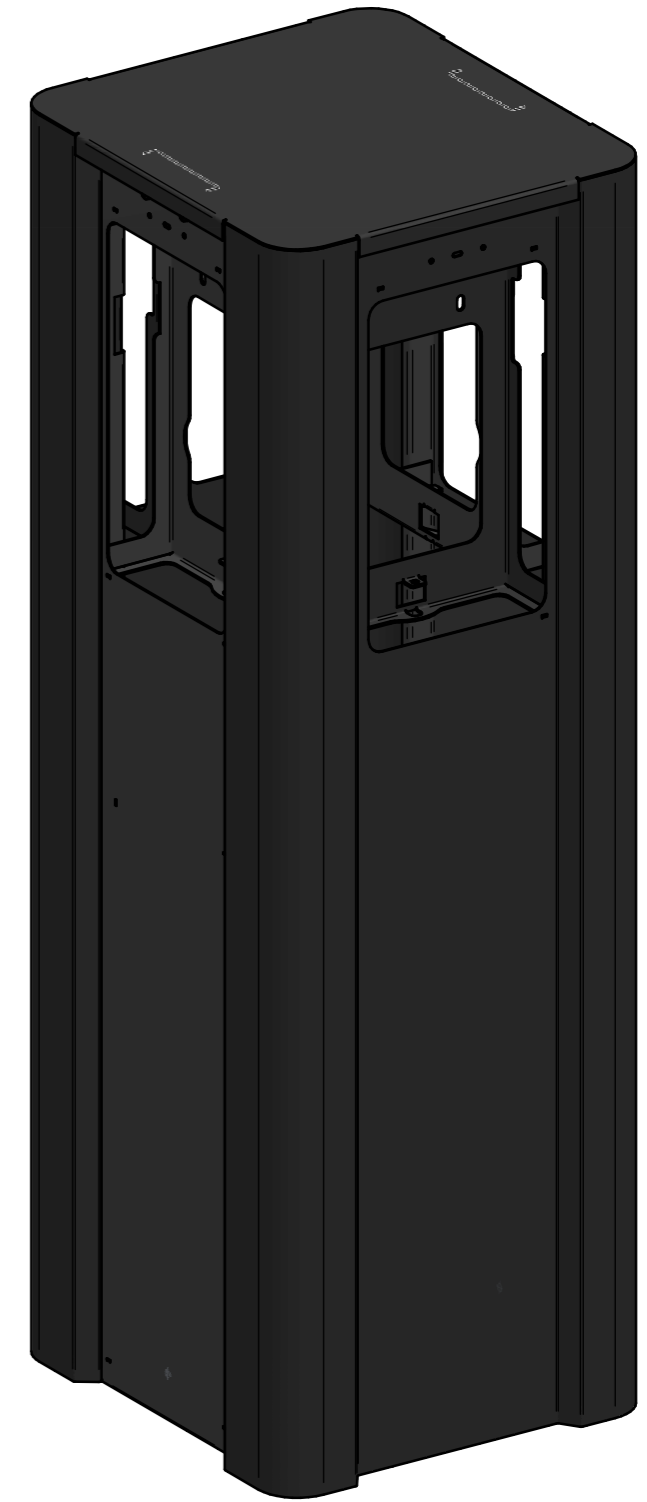


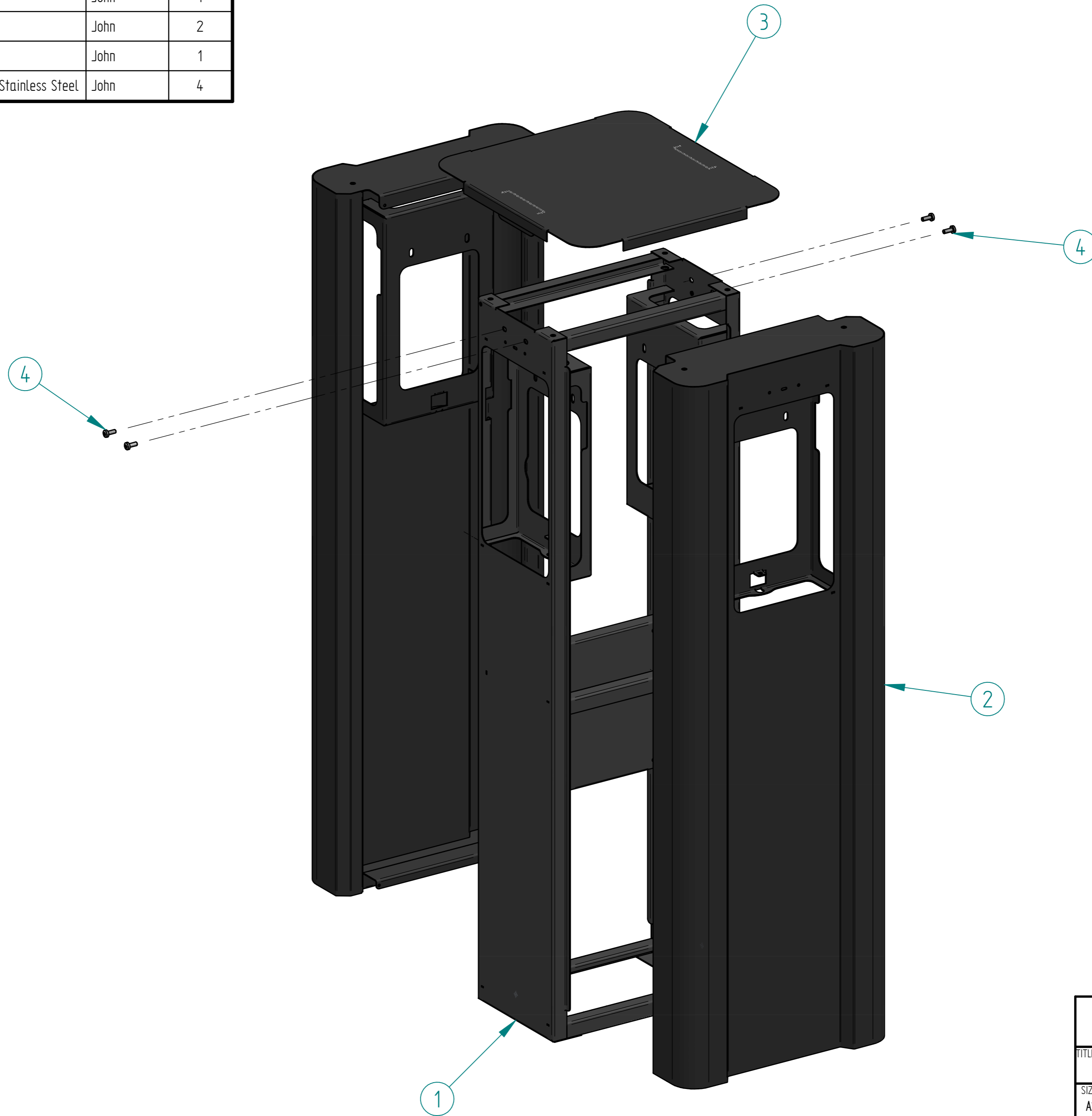
SECTION C-C



DISTRIBUTION BOARD
GEAR PLATE

SEVADIS			
TITLE 4 Way pillar			
SIZE A2	DWG NO EVMC4WPP	REV A	
FILE NAME	EVMC4WPP.dft		
DRAWN	JS		
DATE	27/02/23	DIMENSIONS mm	
WEIGHT:	31.789 kg	SHEET 1 OF 2	

Item Number	File Name (no extension)	Author	Quantity
1	4 WAY CORE BOLTED SLOTTED	John	1
2	4 WAY PEDASTAL SIDE PANEL PIN TYPE	John	2
3	4 WAY MAXI CHARGER TOP PANEL BOLTED PAN HEADS	John	1
4	M6 x 15 T25 Metric Security Torx Pan Head Screw – Stainless Steel	John	4



SEVADIS			
TITLE 4 Way pillar			
SIZE A2	DWG NO EVMC4WPP	REV A	
FILE NAME	EVMC4WPP.dft		
DRAWN	JS		
DATE	27/02/23	DIMENSIONS mm	
WEIGHT:	31.789 kg	SHEET 2 OF 2	