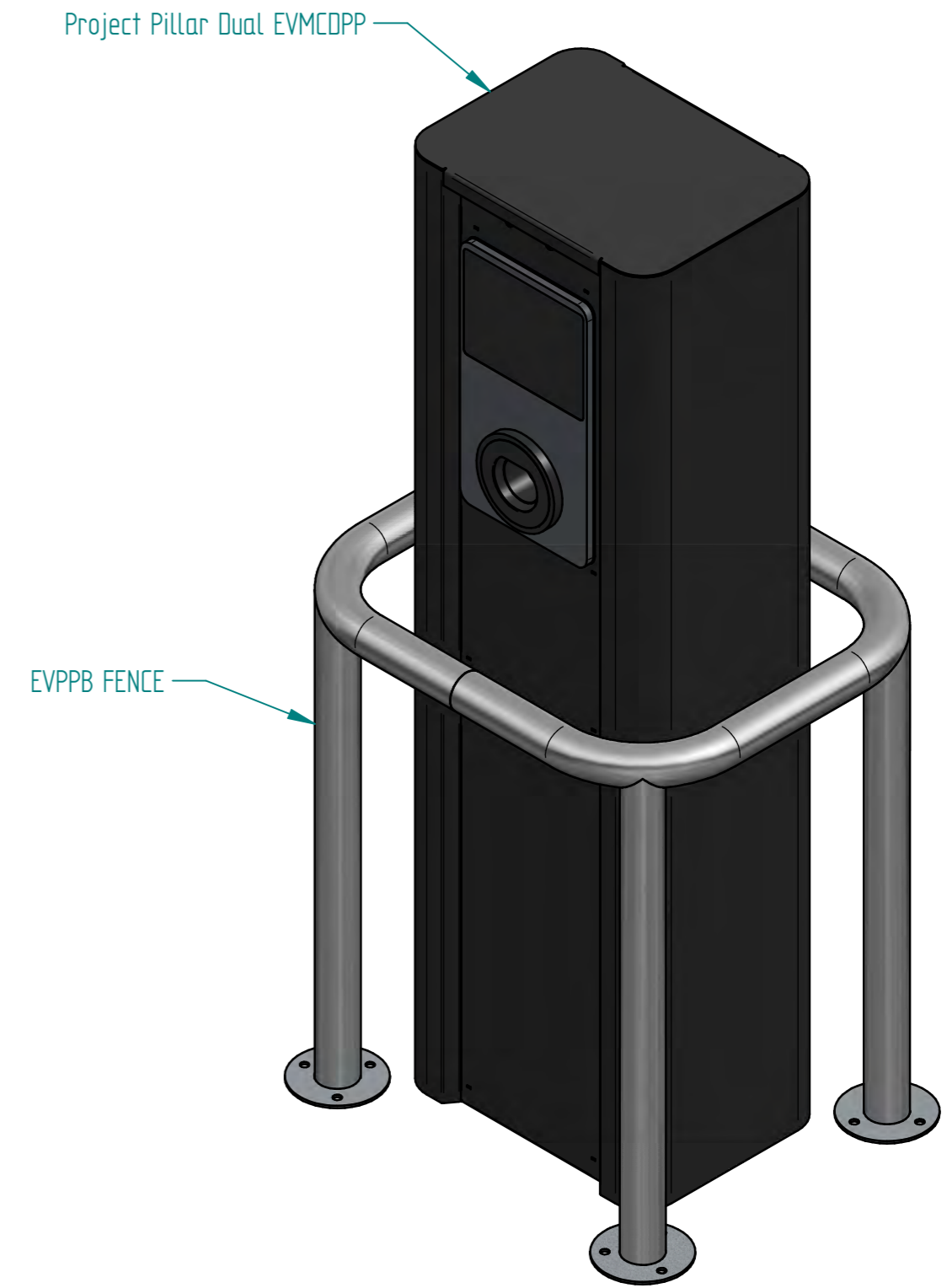
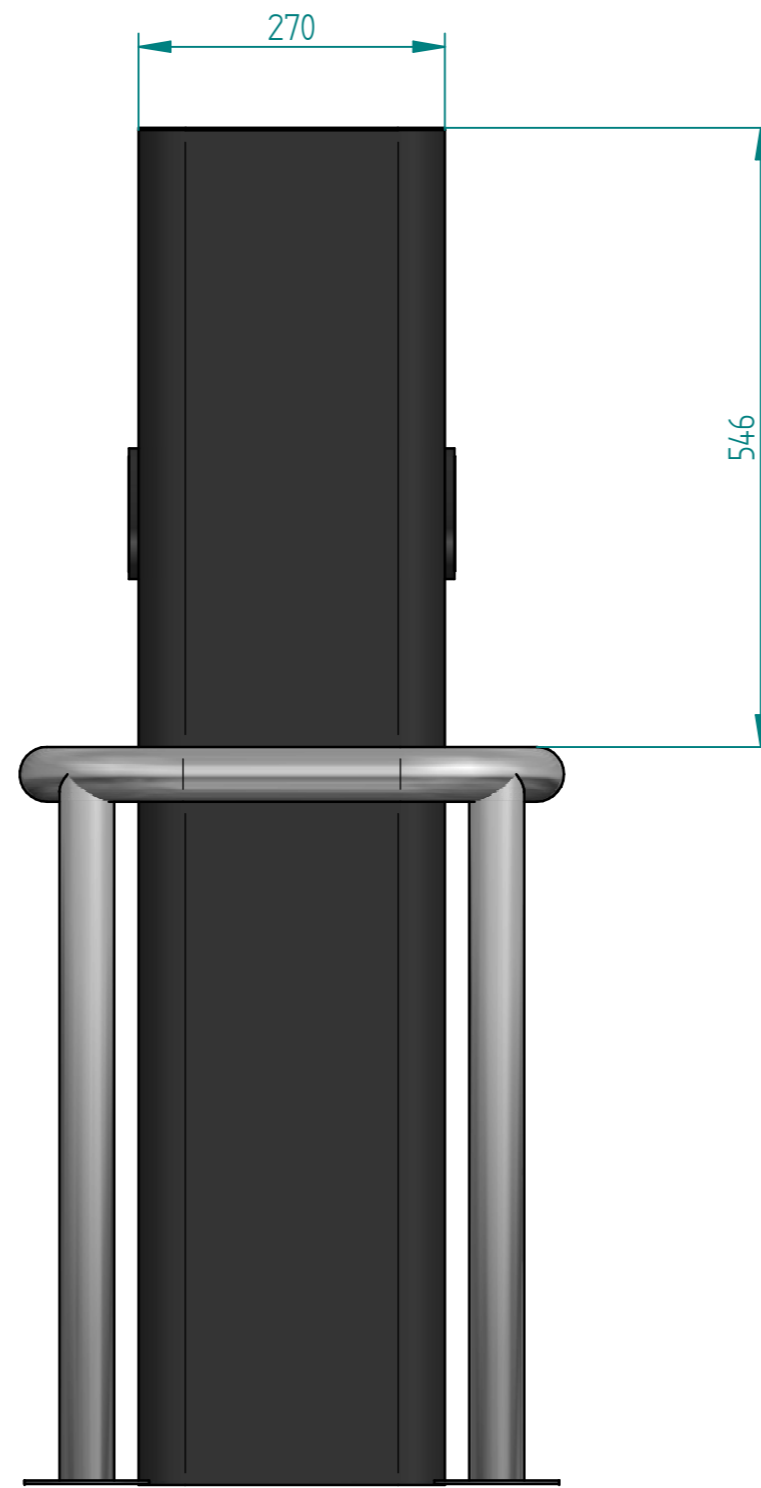
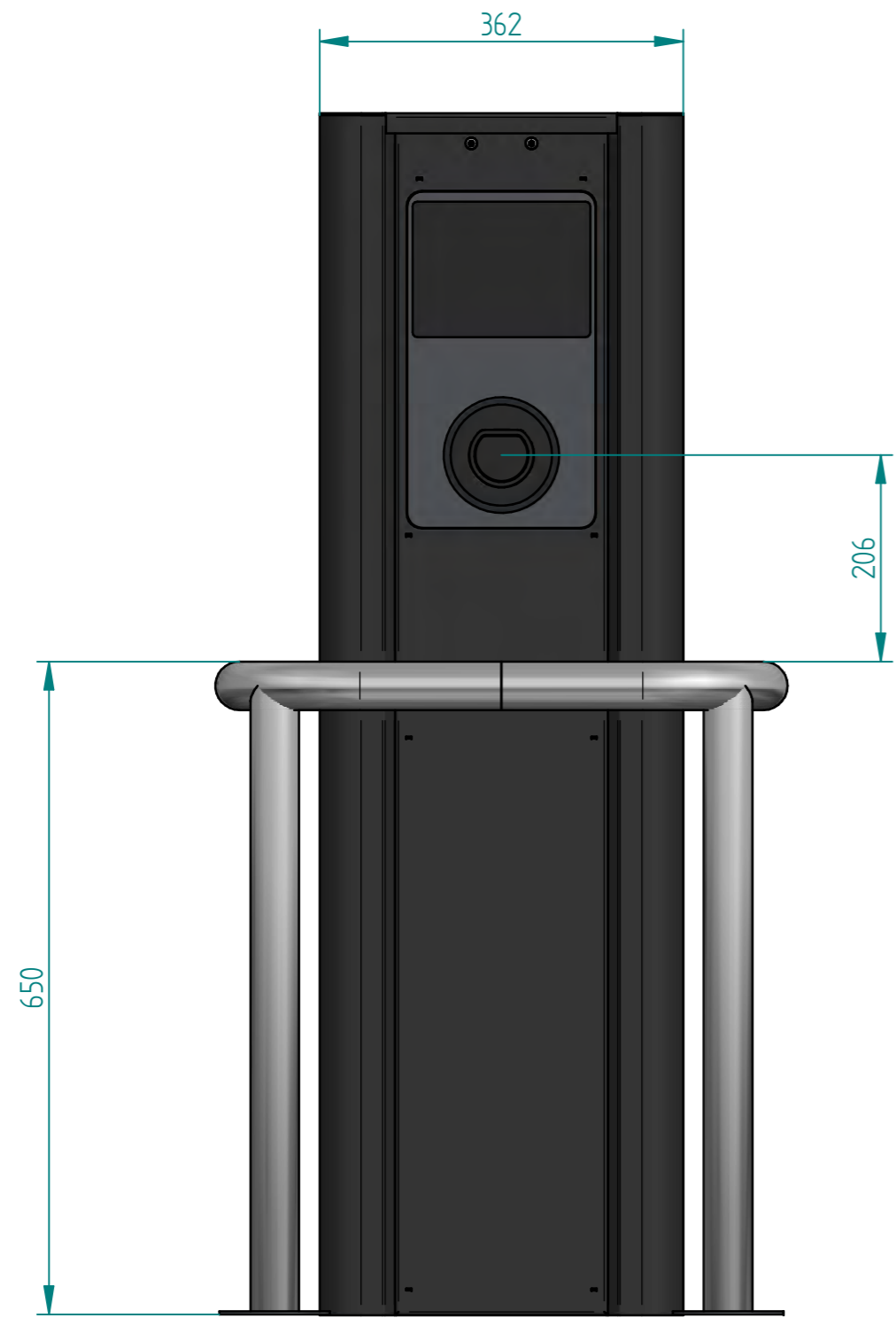
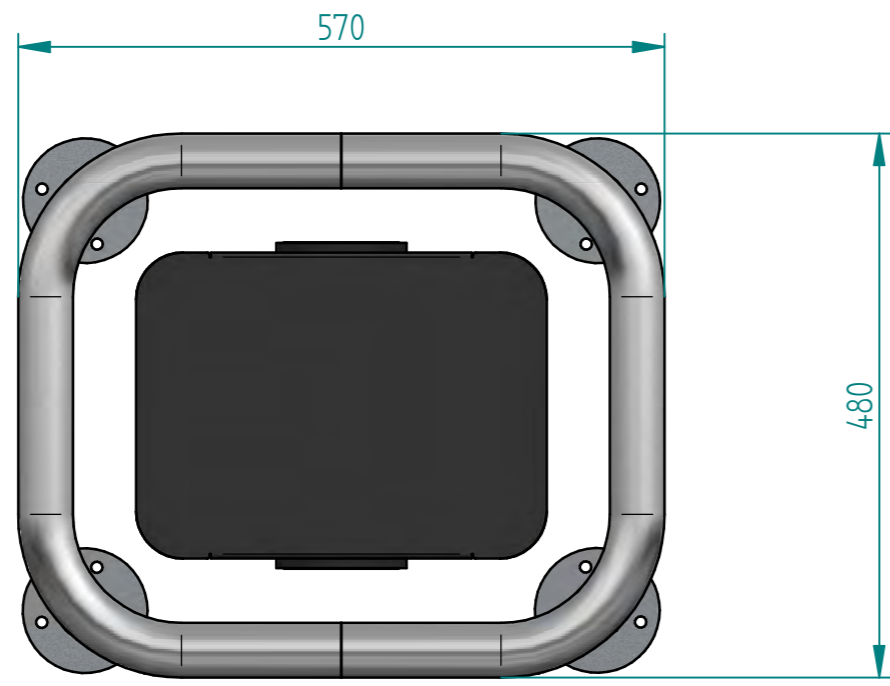


<b>SEVADIS</b>			
TITLE: 360 Degree Project Pillar Barrier			
SIZE: A2	DWG NO: EVPPB	REV: A	
FILE NAME:	EVPPB.dft		
DRAWN:	JS		
DATE:	27/02/23	DIMENSIONS mm	
WEIGHT:	14.522 kg	SHEET 1 OF 2	



<b>SEVADIS</b>			
TITLE <b>360 Degree Project Pillar Barrier</b>			
SIZE A2	DWG NO <b>EVPPB</b>	REV A	
FILE NAME	EVPPB.dft		
DRAWN	JS		
DATE	27/02/23	DIMENSIONS mm	
WEIGHT:	14.522 kg	SHEET 2 OF 2	