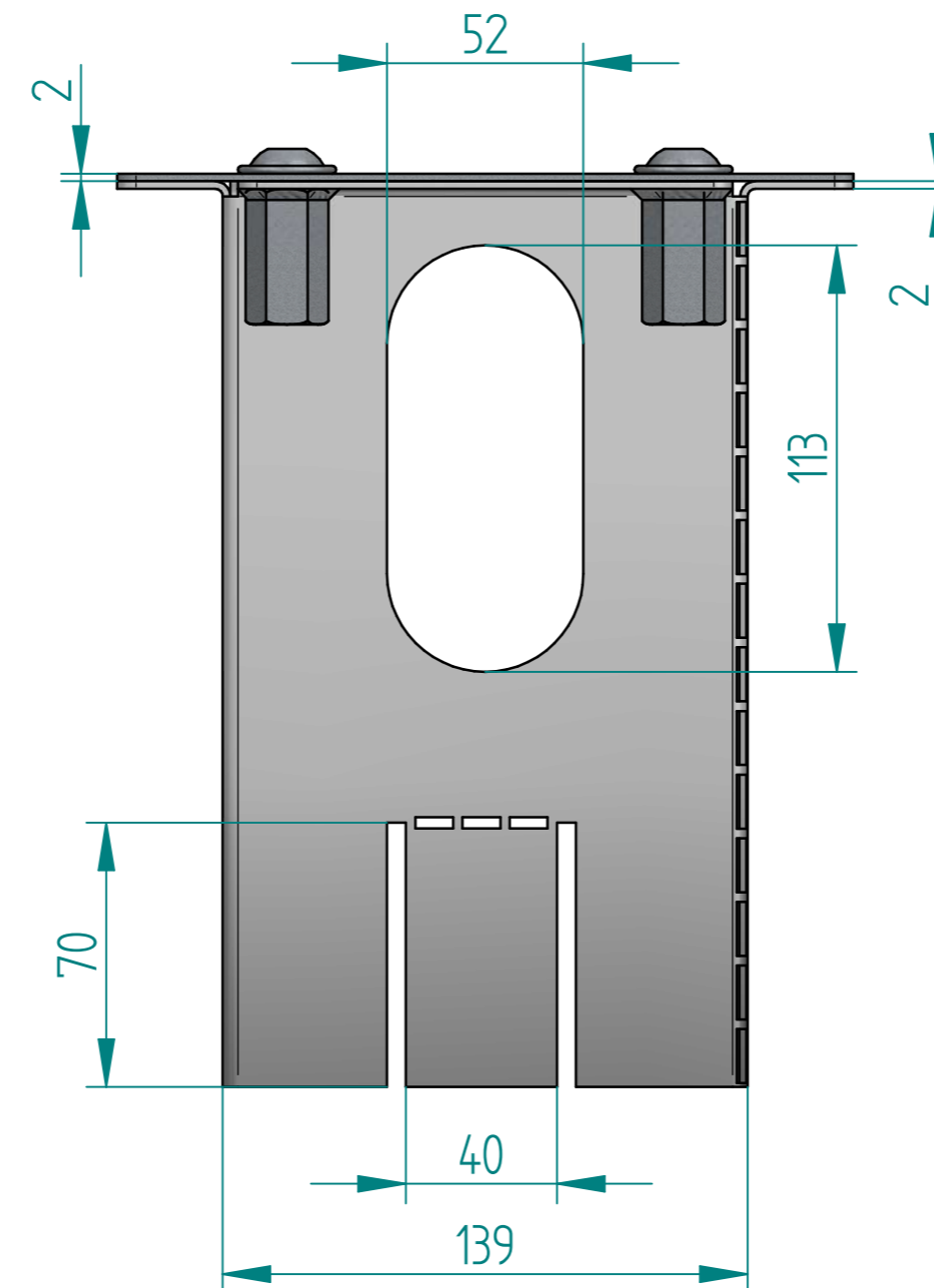
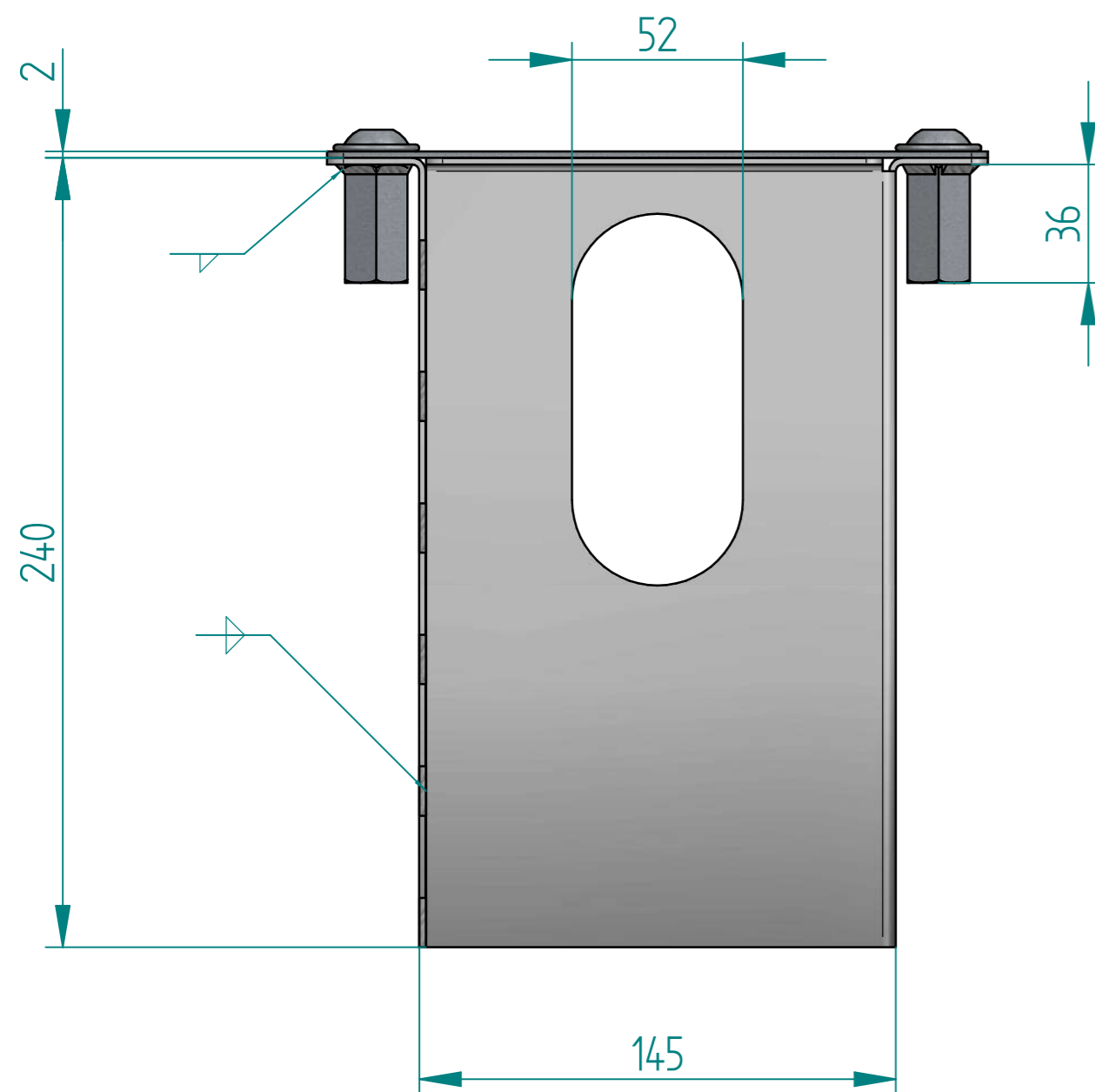
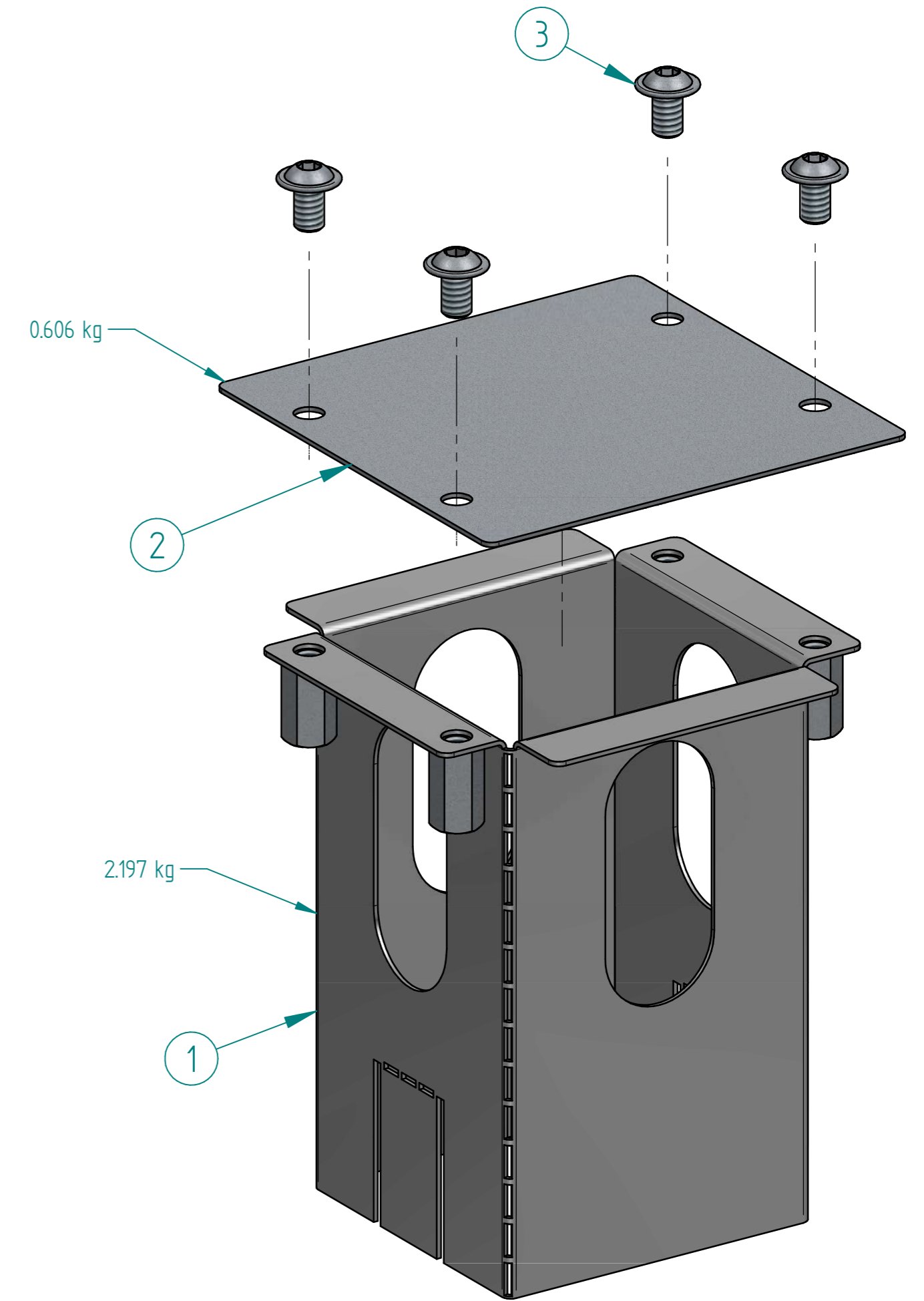



Item Number	File Name (no extension)	Quantity
	EVPRFPP	
1	EVPRFPP BASE	1
2	MAXICHARGER GROUND ANCHOR COVER	1
3	Screw_DIN_EN_ISO_7380_2_M12x20_v14.00	4



 POWERING ELECTRIC VEHICLES		
TITLE: Passive Root foundation kit for Project Pillar		
SIZE: A2	DWG NO: EVPRFPP	REV: A
FILE NAME: EVPRFPP.dft	DRAWN: JS	
DATE: 27/02/23	DIMENSIONS: mm	
WEIGHT: 2.926 kg	SHEET 1 OF 1	