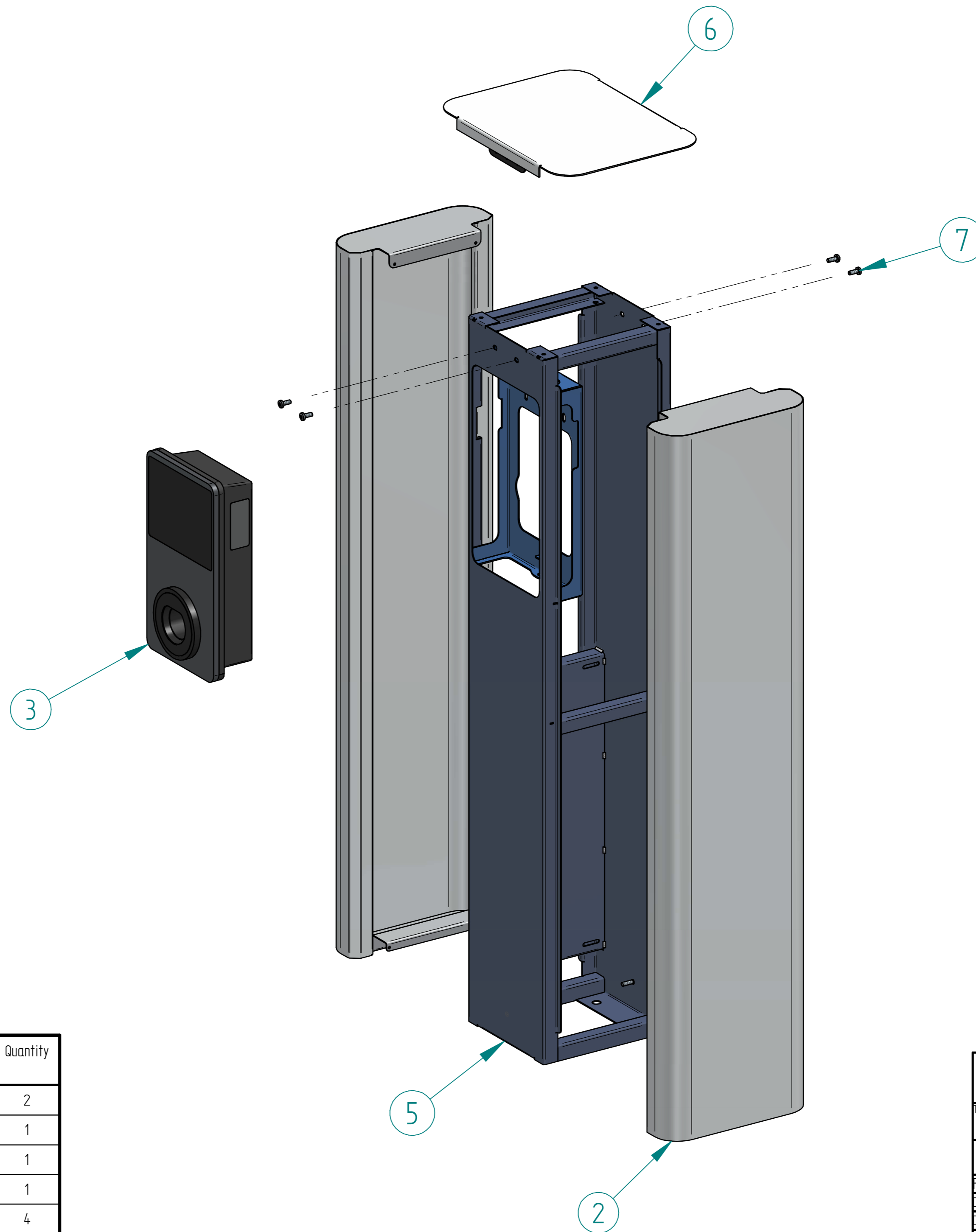


SEVADIS			
TITLE Project Pillar Single			
SIZE A2	DWG NO EVMCSPP	REV A	
FILE NAME	EVMCSPP.dft		
DRAWN	JS		
DATE	27/02/23	DIMENSIONS mm	
WEIGHT:	24.398 kg	SHEET 1 OF 2	



Item Number	File Name (no extension)	Quantity
2	SINGLE CHARGING STATION SIDE PANEL	2
3	335x186 Charger Port	1
5	SINGLE CHARGING STATION CORE	1
6	SINGLE CHARGING STATION TOP PANEL	1
7	M6 x 15 T25 Metric Security Torx Pan Head Screw - Stainless Steel	4

SEVADIS		
TITLE Project Pillar Single		
SIZE A2	DWG NO EVMCSPP	REV A
FILE NAME	EVMCSPP.dft	
DRAWN	JS	
DATE	27/02/23	DIMENSIONS mm
WEIGHT:	24.398 kg	SHEET 2 OF 2