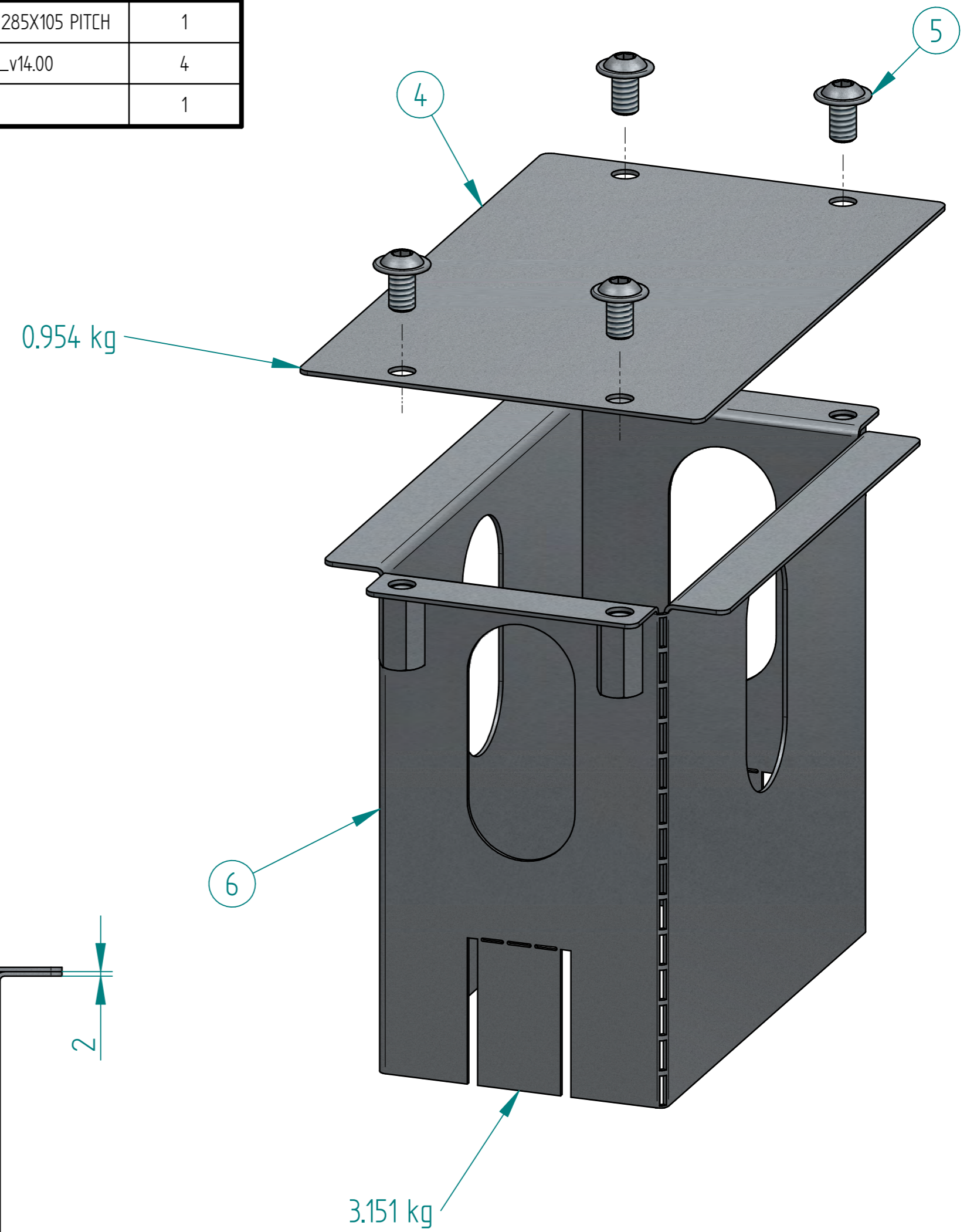
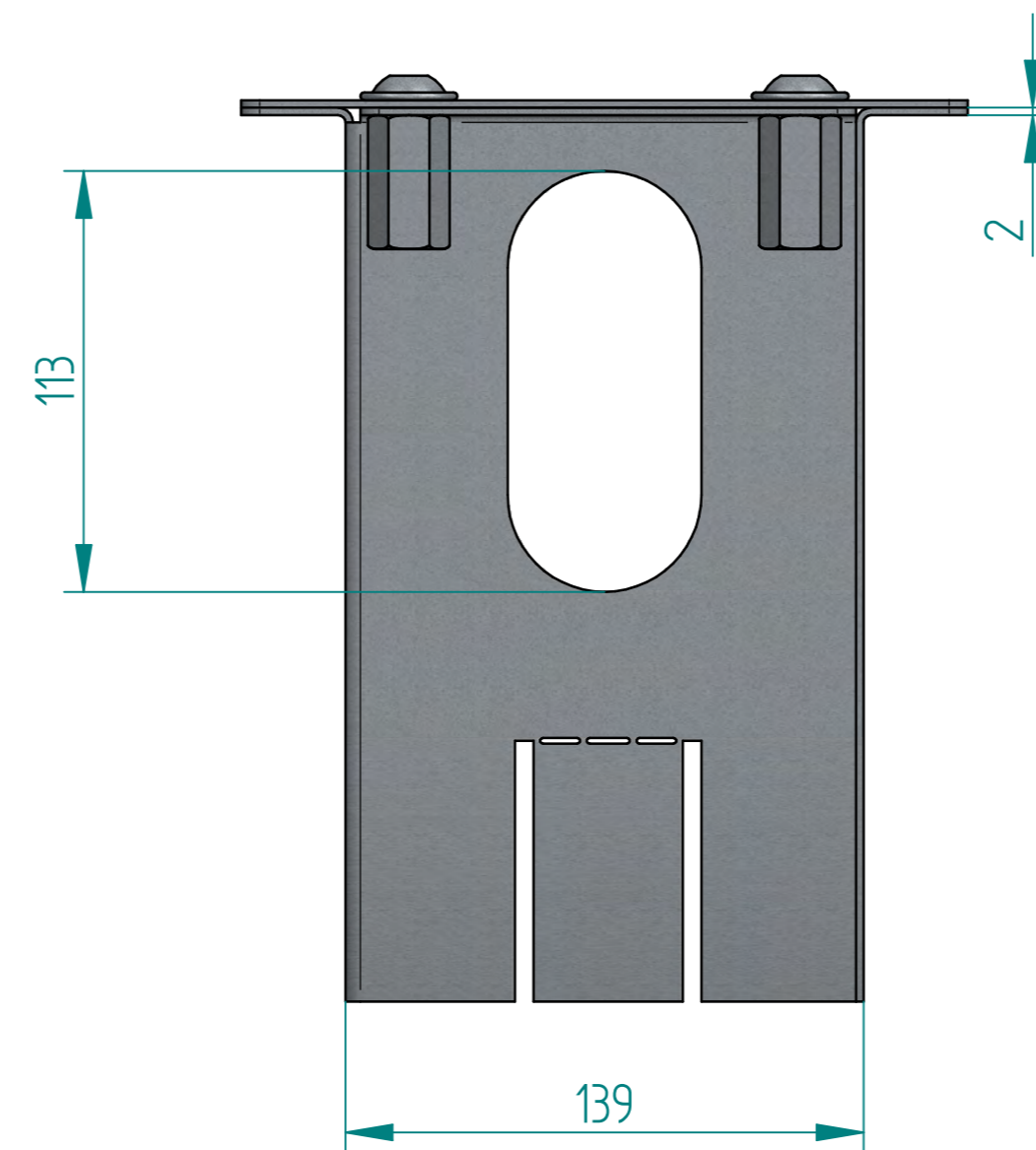
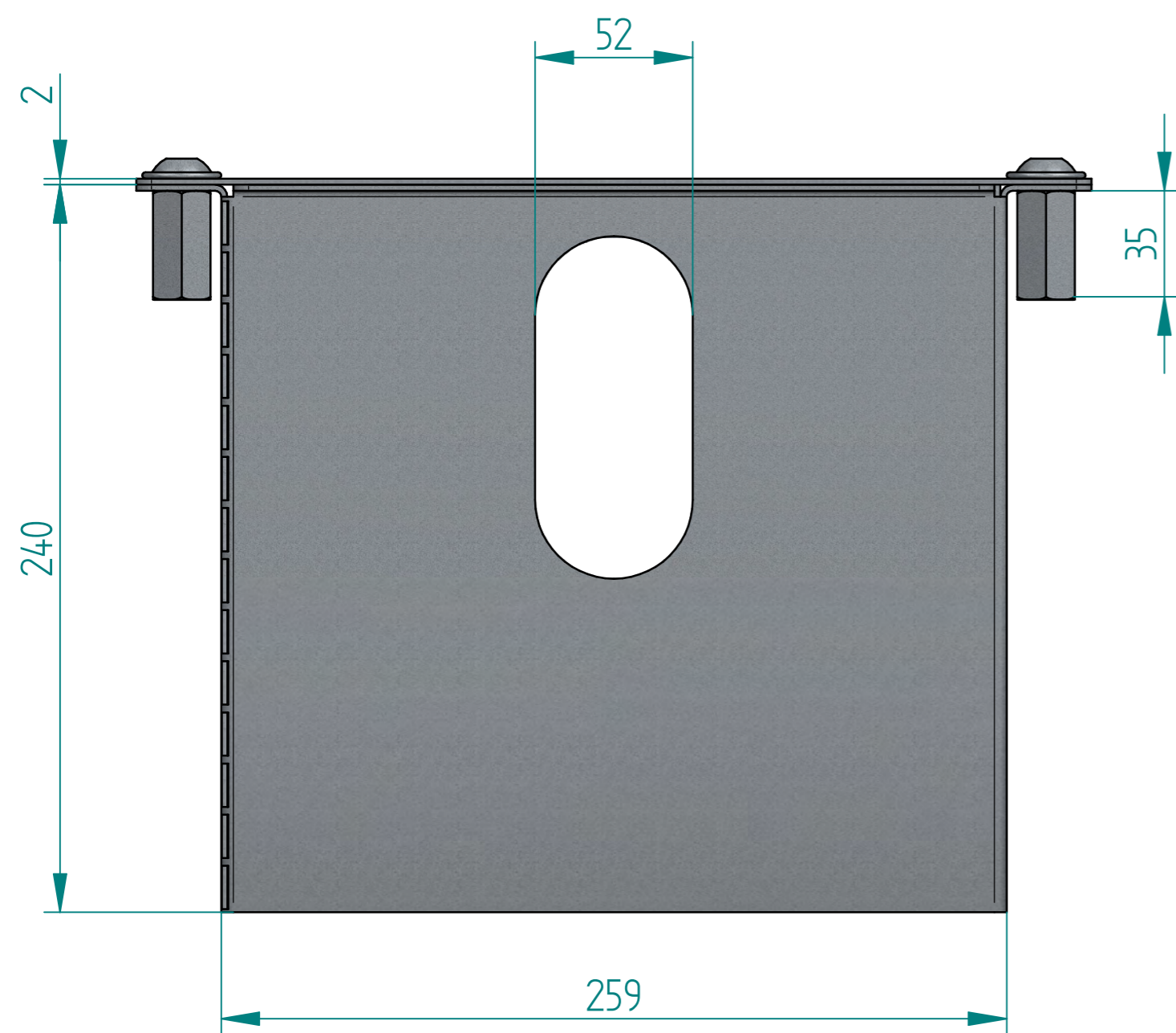


Item Number	File Name (no extension)	Quantity
4	MAXICHARGER GROUND ANCHOR COVER 285X105 PITCH	1
5	Screw_DIN_EN_ISO_7380_2_M12x20_v14.00	4
6	EVPRF4WP BASE	1



SEVADIS			
TITLE: Passive Root foundation kit for 4-way			
SIZE: A2	DWG NO: EVPRF4WP	REV: A	
FILE NAME: EVPRF4WP.dft	DRAWN: JS		
DATE: 27/02/23	DIMENSIONS: mm		
WEIGHT: 4.229 kg	SHEET 1 OF 1		