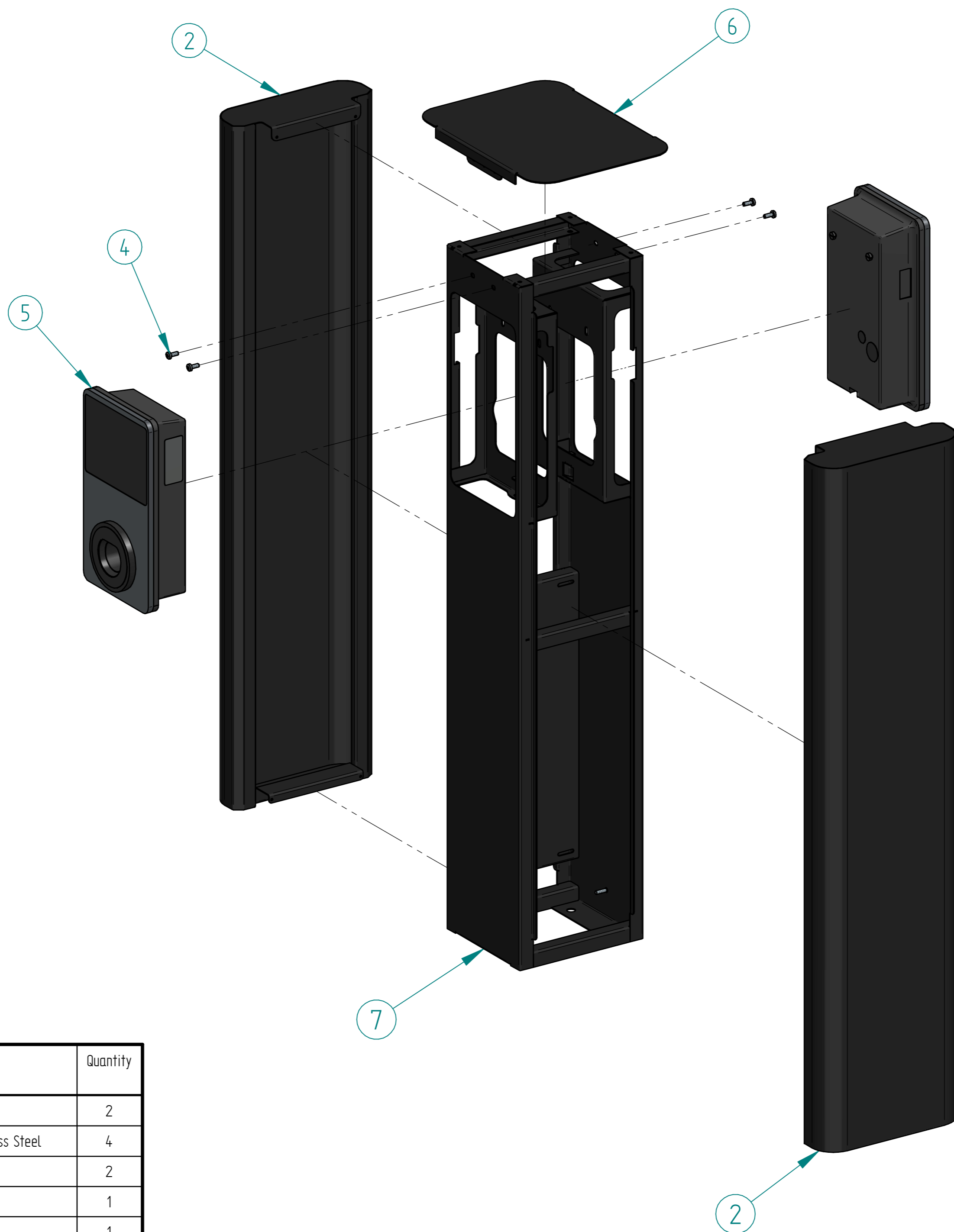


SEVADIS			
TITLE Project Pillar Dual			
SIZE A2	DWG NO EVMCDPP	REV A	
FILE NAME	EVMCDPP.dft		
DRAWN	JS		
DATE	27/02/23	DIMENSIONS mm	
WEIGHT:	24.805 kg	SHEET 1 OF 2	



Item Number	File Name (no extension)	Quantity
2	DUAL CHARGING STATION SIDE PANEL V2	2
4	M6 x 15 T25 Metric Security Torx Pan Head Screw - Stainless Steel	4
5	MAXI CHARGER SINGLE PORT	2
6	DUAL CHARGING STATION TOP PANEL	1
7	DUAL CHARGING STATION CORE	1

SEVADIS			
TITLE Project Pillar Dual			
SIZE A2	DWG NO EVMCDPP	REV A	
FILE NAME	EVMCDPP.dft		
DRAWN	JS		
DATE	27/02/23	DIMENSIONS mm	
WEIGHT:	24.805 kg	SHEET 2 OF 2	