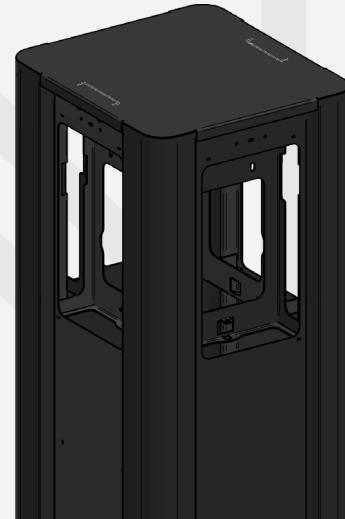


FOR BUILT ENVIRONMENT PROJECTS

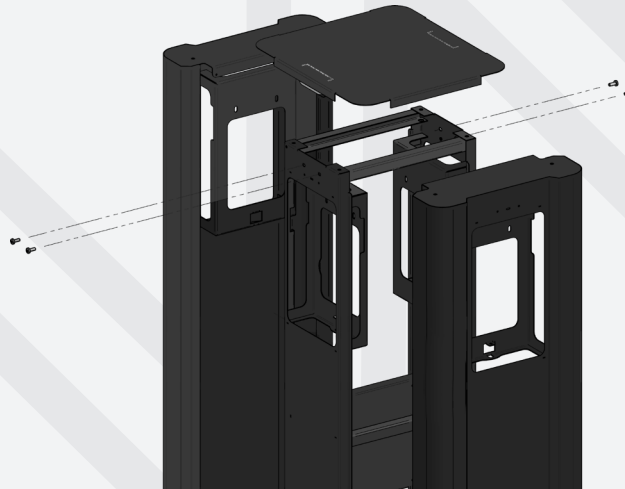
The MaxiCharger 4-Way Pillar is a floor-standing, smart, universal Type 2 socket EV charger that has 4 outlets, one on each face. It is OCPP 1.6J compliant, has built-in PME fault detection. Both static load management and dynamic load balancing capabilities are available.

Allowing EV drivers to charge with 7.4 kW charging speed, the MaxiCharger is an ideal charging solution for residential and commercial requirements. The 4-Way pillar is fabricated in steel with a zinc primer and powder-coated finish. Options for bespoke branding are available. Internal mounting plate included as standard to facilitate a splitter box if single power cable input is required.



Product Code	Product Name and Description
EVMX74	MaxiCharger Smart Online AC Wallbox 7.4 kW - Socket (Black)
EVMX744G	MaxiCharger Smart 4G AC Wallbox 7.4 kW - Socket (Black)
EVMCSPP	MaxiCharger 4-Way Project Pillar Housing
EVRF4WP	Foundation kit for 4-Way Pillar

Technical Specification	
Charging type	Mode 3, Type 2
Charging power	7.4 kW on single-phase
Rated current	32 A/16 A
Rated frequency	50 Hz
Input/output voltage	230 V+/-10%: L1, N, PE
Network type	TT, TN
RCD	Integrated 6mA DC + 30mA AC leakage detection
Protection	Overcurrent, overvoltage, undervoltage, ground fault including DC residual current protection, integrated surge protection
PME fault detection	Incorporated within the unit



User Interface

Status indication	LED/APP
User interface	MaxiCharger APP, MaxiCharger Service Software, web portal
Connectivity	4G, Bluetooth, Wi-Fi, Ethernet
Communication protocols	OCPP 1.6j
User authentication	APP, RFID card, QR code

General Characteristics

IP and IK rating	IP54, IK08
Operating altitude	2000 m
Operating temperature range	-40°C ~ + 55°C
Storage temperature range	-40°C ~ + 85°C
4-Way Pillar Weight	31,789 g
Dimensions (WxHxD)	Unit: 187 mm x 336 mm x 85 mm 4-Way Pillar: 430 mm x 1197 mm x 392 mm

Software Update

Software update	APP or web portal
-----------------	-------------------

Certification and Standards

Safety standards	EN/IEC 61851-1, EN/IEC 62196-2, EN/IEC 62955, BS7671
Certification	CE, UKCA (TUV) Compliant to the Electric Vehicles (Smart Charge Points) Regulations 2021, inc. Schedule 1
Warranty	36 months