



MAXICHARGER AC WALL MOUNTED

MAXICHARGER AC WALL MOUNTED

Wall Mounted EV Charger

Award winning, modular and reliable, the MaxiCharger is designed to provide EV drivers and businesses with a seamless EV charging experience. Complete with smart features, the MaxiCharger ensures that drivers and charge point operators can get the most out of their EV charge point investment.

With its OCPP compliance, the MaxiCharger allows for the integration of Smart EV charge point management systems, allowing users to control and manage their charging activity using a smartphone. The MaxiCharger also allows for RFID operation, enabling drivers to simply tap and charge.

The MaxiCharger is an easy to install EV charging solution, taking as little as 20 minutes to install with its effortless configuration app and its built-in PME fault detection (PEN protection).

Available in 7.4-22kW power outputs and an LCD screen variant, the MaxiCharger offers a solution for all requirements. For locations requiring extra durability and protection, the optional Wall Enclosure provides the ideal solution.





KEY FEATURES



Fully compliant with the electric vehicles regulations
(*Smart Charge Points*)



App/RFID operated charging



PME fault detection, incorporated on single & three phase



Dynamic load balancing & static load management capabilities



Single phase connection (7.4kW) & three phase connection (11/22kW)



OZEV grant approved



Seamless OCPP integration
(*OCPP 1.6 compliant*)



3 year warranty
(*optional 3 year extension available*)

PRODUCT OVERVIEW

MaxiCharger

PRODUCT NAME	PRODUCT CODE	CONNECTION TYPE	CHARGING POWER	INPUT/OUTPUT VOLTAGE
MaxiCharger Smart Online AC Wallbox 7.4kW - Socket	EVAUTDSSEVOB	Type 2 charging socket	Single-phase: 7.4kW	230 V±10%: L1, N, PE
MaxiCharger Smart 4G AC Wallbox 7.4kW - Socket	EVAUTDS4GSEVOB	Type 2 charging socket	Single-phase: 7.4kW	230 V±10%: L1, N, PE
MaxiCharger 3 Phase Smart 4G AC Wallbox 11kW/22kW Socket	EVAUTCS4GSEVB	Type 2 charging socket	Three-phase: 11kW/22kW	400 V±15%: L1, L2, L3, N, PE
MaxiCharger 3 Phase 4G AC Wallbox with LCD Screen 11kW/22kW Socket (or down-rated to 7.4kW)	EVAUTCS4GLCD	Type 2 charging socket	Single-phase: 7.4kW Three-phase: 11kW/22kW	Single-phase: 230 V±10%: L1, N, PE Three-phase: 400 V±15%: L1, L2, L3, N, PE

MaxiCharger Wall Mounted Accessories

PRODUCT NAME	PRODUCT CODE	MATERIAL	WEIGHT	DIMENSIONS
MaxiCharger Single Wall Enclosure	EVMWMESP	Powder-coated mild steel	4.01kg	204mm x 407mm x 86mm (W x H x D)
MaxiCharger Dual Wall Enclosure	EVMWMEDP	Powder-coated mild steel	7.1kg	404mm x 407mm x 86mm (W x H x D)

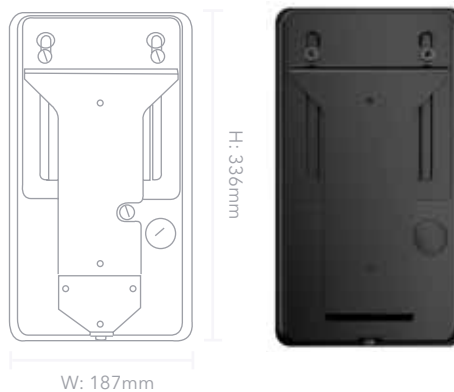
TECHNICAL DATA

CHARGING TYPE	Mode 3, Type 2
RATED CURRENT	32 A/16 A
RATED FREQUENCY	50Hz
NETWORK TYPE	TT, TN
RCD & PROTECTION	<ul style="list-style-type: none"> • Integrated 6mA DC + 30mA AC leakage detection • Overcurrent • Overvoltage • Undervoltage • Integrated surge protection
PME FAULT DETECTION/PEN PROTECTION	Yes (<i>incorporated within the unit</i>)
LOAD MANAGEMENT	Intergrated static load management. Dynamic load balancing capabilities
MATERIAL	Plastic, full specification available upon request
IP & IK RATING	IP54, IK08
OPERATING ALTITUDE	2000m
OPERATING TEMPERATURE RANGE	-40°C ~ + 55°C
OPERATING STORAGE RANGE	-40°C ~ + 85°C
WEIGHT	3.6kg (Single-phase) 3.92kg (Three-phase)
DIMENSIONS	187 mm x 336 mm x 85 mm (W x H x D)
SAFETY STANDARDS	EN/IEC 61851-1, EN/IEC 62196-2, EN/IEC 62955, BS7671
CERTIFICATION	CE, UKCA (TUV) compliant to the electric vehicles (<i>Smart charge points</i>) regulations 2021, inc. schedule 1
WARRANTY	3 years as standard (<i>optional 3 year extension available</i>)

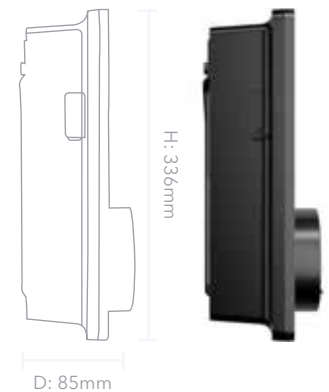
FRONT VIEW



REAR VIEW



SIDE VIEW





MAXICHARGER AC WALL MOUNTED

