



# MAXICHARGER AC PEDESTAL

# MAXICHARGER AC PEDESTAL

## Floor Mounted EV Charger

Smart, affordable and versatile, the MaxiCharger Pedestal is designed to provide EV drivers and businesses with a seamless EV charging experience. Complete with smart features, the MaxiCharger Pedestal provides businesses and organisations with an effortless charging experience for their staff, visitors and customers. The MaxiCharger Pedestal is also the ideal solution for residents who prefer a floor mounted EV charger.

With its OCPP compliance, the MaxiCharger Pedestal allows for the integration of smart EV charge point management systems, allowing users to control and manage their charging activity using a smartphone. The MaxiCharger Pedestal also allows for RFID operation, enabling drivers to simply tap and charge.

The MaxiCharger Pedestal is an easy to install EV charging solution with its leading configuration app and its built-in PME fault detection (PEN protection).

Available in 7.4-22kW and an LCD screen variant, the MaxiCharger Pedestal offers a solution for all requirements. With its modular and flexible capabilities, the MaxiCharger Pedestal offers a 1way and 2way option, making for the ideal space saving solution for car parks requiring EV charging infrastructure at scale.





## KEY FEATURES



Fully compliant with the electric vehicles regulations  
(*Smart Charge Points*)



App/RFID operated charging



PME fault detection, incorporated on single & three phase



Dynamic load balancing & static load management capabilities



Single phase connection (7.4kW) & three phase connection (11/22kW)



OZEV grant approved  
(*excl. LCD 22kW*)



Seamless OCPP integration  
(*OCPP 1.6 compliant*)



3 year warranty  
(*optional 3 year extension available*)

# PRODUCT OVERVIEW

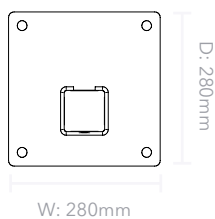
## MaxiCharger

PRODUCT NAME	PRODUCT CODE	CONNECTION TYPE	CHARGING POWER	INPUT/OUTPUT VOLTAGE
<b>MaxiCharger Smart Online AC Wallbox 7.4kW - Socket</b>	EVAUTDSSEVOB	Type 2 charging socket	Single-phase: 7.4kW	230 V±10%: L1, N, PE
<b>MaxiCharger Smart 4G AC Wallbox 7.4kW - Socket</b>	EVAUTDS4GSEVOB	Type 2 charging socket	Single-phase: 7.4kW	230 V±10%: L1, N, PE
<b>MaxiCharger 3 Phase Smart 4G AC Wallbox 11kW/22kW Socket</b>	EVAUTCS4GSEVB	Type 2 charging socket	Three-phase: 11kW/22kW	400 V±15%: L1, L2, L3, N, PE
<b>MaxiCharger 3 Phase 4G AC Wallbox with LCD Screen 11kW/22kW Socket (or down-rated to 7.4kW)</b>	EVAUTCS4GLCD	Type 2 charging socket	Single-phase: 7.4kW Three-phase: 11kW/22kW	Single-phase: 230 V±10%: L1, N, PE Three-phase: 400 V±15%: L1, L2, L3, N, PE

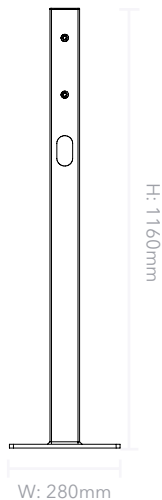
## MaxiCharger Pedestal Accessories

PRODUCT NAME	PRODUCT CODE	MATERIAL	WEIGHT	DIMENSIONS
<b>Universal Pedestal (Single/Dual)</b>	BEVSPLUP	Powder-coated mild steel	12.9kg	Post: 75 x 1160 x 75mm (W x H x D) Base: 280 x 10 x 280mm (W x H x D)

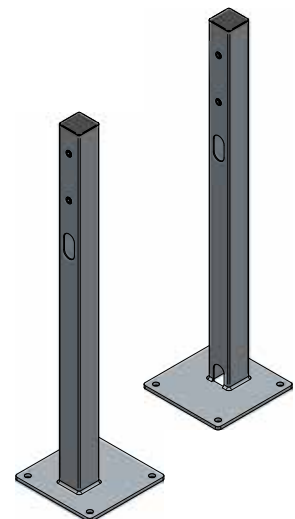
**UNIVERSAL PEDESTAL TOP VIEW SINGLE/DUAL**



**UNIVERSAL PEDESTAL FRONT VIEW SINGLE/DUAL**



**UNIVERSAL PEDESTAL SIDE VIEW SINGLE/DUAL**



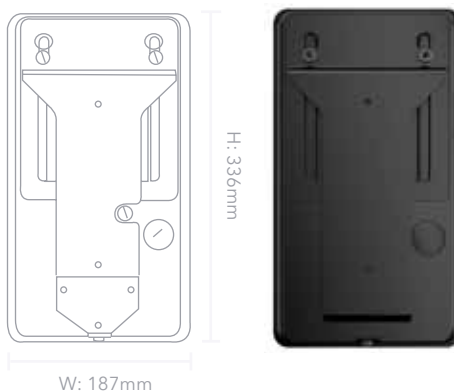
# TECHNICAL DATA

<b>CHARGING TYPE</b>	Mode 3, Type 2
<b>RATED CURRENT</b>	32 A/16 A
<b>RATED FREQUENCY</b>	50Hz
<b>NETWORK TYPE</b>	TT, TN
<b>RCD &amp; PROTECTION</b>	<ul style="list-style-type: none"> <li>• Integrated 6mA DC + 30mA AC leakage detection</li> <li>• Overcurrent</li> <li>• Overvoltage</li> <li>• Undervoltage</li> <li>• Integrated surge protection</li> </ul>
<b>PME FAULT DETECTION/PEN PROTECTION</b>	Yes ( <i>incorporated within the unit</i> )
<b>LOAD MANAGEMENT</b>	Intergrated static load management. Dynamic load balancing capabilities
<b>MATERIAL (MAXICHARGER)</b>	Plastic, full specification available upon request
<b>MATERIAL (UNIVERSAL POLE)</b>	Powder-coated mild steel
<b>IP &amp; IK RATING</b>	IP54, IK08
<b>OPERATING ALTITUDE</b>	2000m
<b>OPERATING TEMPERATURE RANGE</b>	-40°C ~ + 55°C
<b>OPERATING STORAGE RANGE</b>	-40°C ~ + 85°C
<b>WEIGHT (MAXICHARGER)</b>	3.6kg (Single-phase) 3.92kg (Three-phase)
<b>WEIGHT (UNIVERSAL POLE)</b>	12.9kg
<b>DIMENSIONS</b>	187 mm x 336 mm x 85 mm (W x H x D)
<b>SAFETY STANDARDS</b>	EN/IEC 61851-1, EN/IEC 62196-2, EN/IEC 62955, BS7671
<b>CERTIFICATION</b>	CE, UKCA (TUV) compliant to the electric vehicles ( <i>Smart charge points</i> ) regulations 2021, inc. schedule 1
<b>WARRANTY</b>	3 years as standard ( <i>optional 3 year extension available</i> )

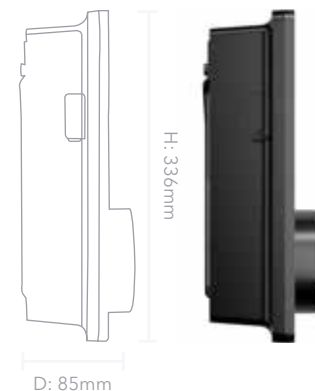
FRONT VIEW



REAR VIEW



SIDE VIEW





# MAXICHARGER AC PEDESTAL

