



# MAXICHARGER AC PILLAR

# MAXICHARGER AC PILLAR

## Floor Mounted EV Charger

Modular, robust and affordable, the MaxiCharger Pillar is designed to provide EV drivers and businesses with a seamless EV charging experience. Complete with smart features, the MaxiCharger Pillar provides businesses and organisations with an effortless EV charging solution for their staff, visitors and customers.

With its OCPP compliance, the MaxiCharger Pillar allows for the integration of smart EV charge point management systems, allowing users to control and manage their charging activity using a smartphone. The MaxiCharger Pillar also allows for RFID operation, enabling drivers to simply tap and charge.

The MaxiCharger Pillar is an easy to install EV charging solution with its leading configuration app and its built-in PME fault detection (PEN protection).

Available in 7.4-22kW and an LCD screen variant, the MaxiCharger Pillar offers a solution for all requirements. With its adaptable and flexible capabilities, the MaxiCharger Pillar offers a 1way, 2way, 3way and 4way option, making for the ideal space saving solution for car parks requiring EV charging infrastructure at scale.





## KEY FEATURES



Fully compliant with the electric vehicles regulations  
(*Smart Charge Points*)



App/RFID operated charging



PME fault detection, incorporated on single & three phase



Dynamic load balancing & static load management capabilities



Single phase connection (7.4kW) & three phase connection (11/22kW)



OZEV grant approved  
(*excl. LCD 22kW*)



Seamless OCPP integration  
(*OCPP 1.6 compliant*)



3 year warranty  
(*optional 3 year extension available*)

# PRODUCT OVERVIEW

## MaxiCharger

PRODUCT NAME	PRODUCT CODE	CONNECTION TYPE	CHARGING POWER	INPUT/OUTPUT VOLTAGE
<b>MaxiCharger Smart Online AC Wallbox 7.4kW - Socket</b>	EVAUTDSSEVOB	Type 2 charging socket	Single-phase: 7.4kW	230 V±10%: L1, N, PE
<b>MaxiCharger Smart 4G AC Wallbox 7.4kW - Socket</b>	EVAUTDS4GSEVOB	Type 2 charging socket	Single-phase: 7.4kW	230 V±10%: L1, N, PE
<b>MaxiCharger 3 Phase Smart 4G AC Wallbox 11kW/22kW Socket</b>	EVAUTCS4GSEVB	Type 2 charging socket	Three-phase: 11kW/22kW	400 V±15%: L1, L2, L3, N, PE
<b>MaxiCharger 3 Phase 4G AC Wallbox with LCD Screen 11kW/22kW Socket (or down-rated to 7.4kW)</b>	EVAUTCS4GLCD	Type 2 charging socket	Single-phase: 7.4kW Three-phase: 11kW/22kW	Single-phase: 230 V±10%: L1, N, PE Three-phase: 400 V±15%: L1, L2, L3, N, PE

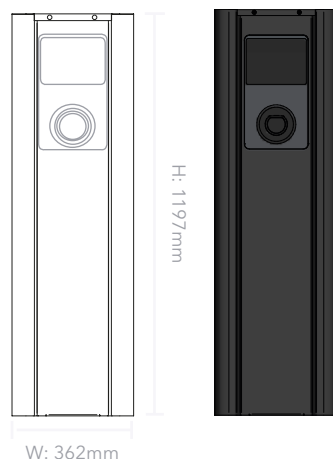
## MaxiCharger Pillar Accessories

PRODUCT NAME	PRODUCT CODE	MATERIAL	WEIGHT	DIMENSIONS
<b>MaxiCharger Single Pillar Housing</b>	EVDCSUV2	Powder-coated mild steel	24.4kg	362 x 1197 x 270 mm (W x H x D)
<b>MaxiCharger Dual Pillar Housing</b>	EVDDCSUV2	Powder-coated mild steel	24.8kg	362 x 1197 x 270 mm (W x H x D)

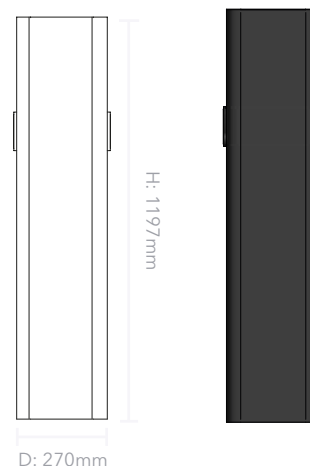
**PILLAR TOP VIEW  
SINGLE/DUAL**



**PILLAR FRONT VIEW  
SINGLE/DUAL**



**PILLAR SIDE VIEW  
SINGLE/DUAL**



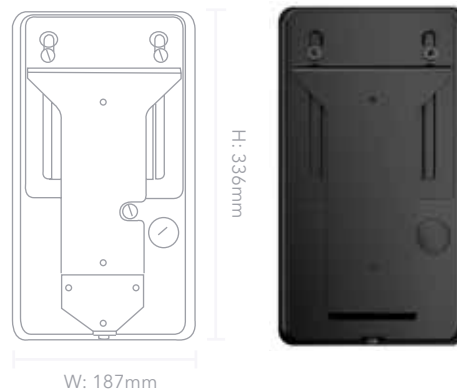
# TECHNICAL DATA

<b>CHARGING TYPE</b>	Mode 3, Type 2
<b>RATED CURRENT</b>	32 A/16 A
<b>RATED FREQUENCY</b>	50Hz
<b>NETWORK TYPE</b>	TT, TN
<b>RCD &amp; PROTECTION</b>	<ul style="list-style-type: none"> <li>• Integrated 6mA DC + 30mA AC leakage detection</li> <li>• Overcurrent</li> <li>• Overvoltage</li> <li>• Undervoltage</li> <li>• Integrated surge protection</li> </ul>
<b>PME FAULT DETECTION/PEN PROTECTION</b>	Yes ( <i>incorporated within the unit</i> )
<b>LOAD MANAGEMENT</b>	Intergrated static load management. Dynamic load balancing capabilities
<b>MATERIAL (MAXICHARGER)</b>	Plastic, full specification available upon request
<b>MATERIAL (PILLAR)</b>	Powder-coated mild steel
<b>IP &amp; IK RATING</b>	IP54, IK08
<b>OPERATING ALTITUDE</b>	2000m
<b>OPERATING TEMPERATURE RANGE</b>	-40°C ~ + 55°C
<b>OPERATING STORAGE RANGE</b>	-40°C ~ + 85°C
<b>WEIGHT (MAXICHARGER)</b>	3.6kg (Single-phase) 3.92kg (Three-phase)
<b>WEIGHT (PILLAR)</b>	24.4kg (Single) 24.8kg (Dual)
<b>DIMENSIONS</b>	187 mm x 336 mm x 85 mm (W x H x D)
<b>SAFETY STANDARDS</b>	EN/IEC 61851-1, EN/IEC 62196-2, EN/IEC 62955, BS7671
<b>CERTIFICATION</b>	CE, UKCA (TUV) compliant to the electric vehicles ( <i>Smart charge points</i> ) regulations 2021, inc. schedule 1
<b>WARRANTY</b>	3 years as standard ( <i>optional 3 year extension available</i> )

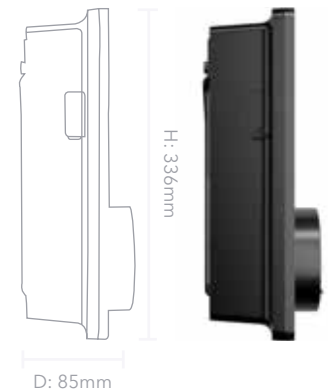
FRONT VIEW



REAR VIEW



SIDE VIEW





# MAXICHARGER AC PILLAR

